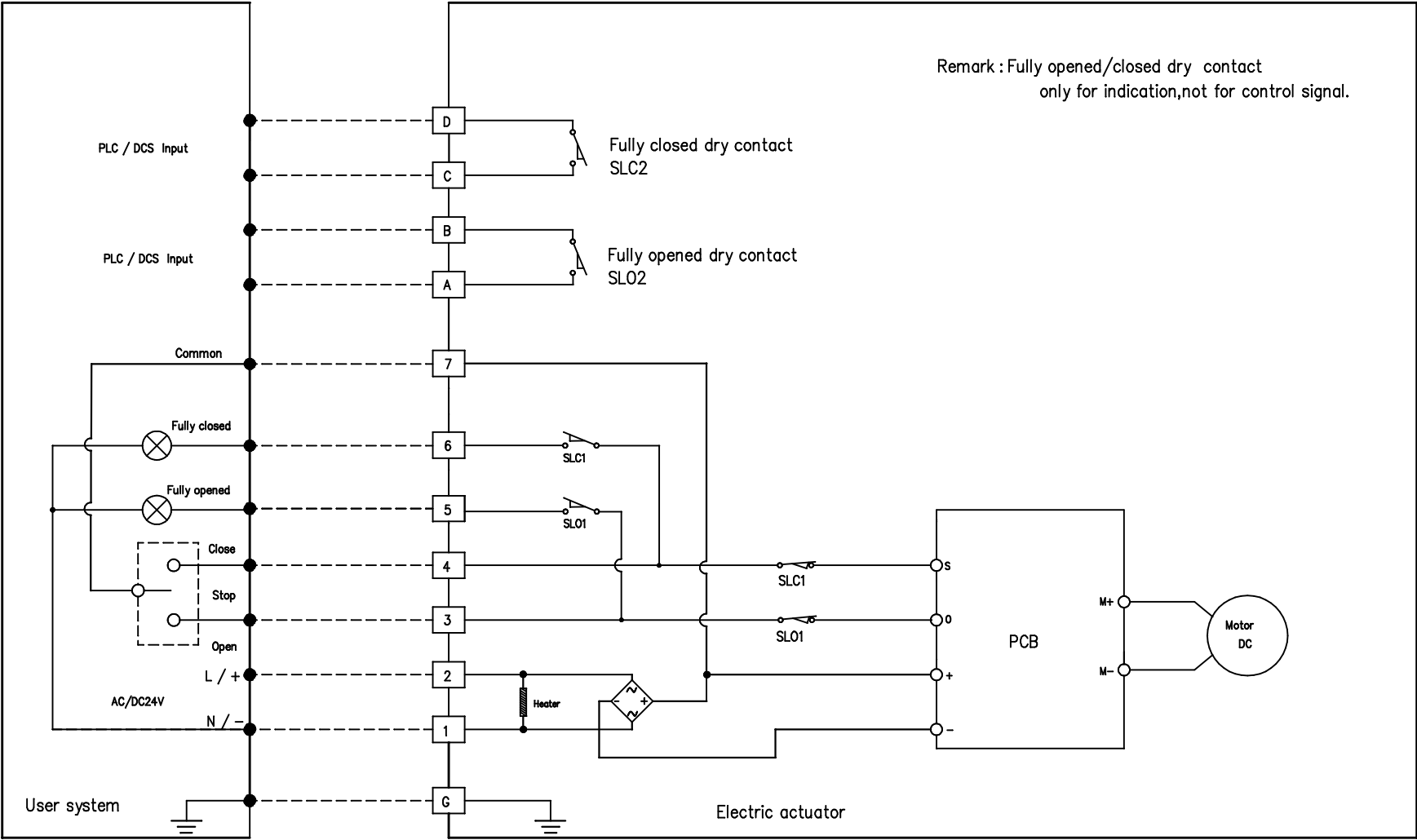



AC/DC24V ON/OFF type wiring diagram



Remark : Fully opened/closed dry contact only for indication, not for control signal.

 Be sure to connect the protective earth terminal G.

NO.21900000773

v1.0