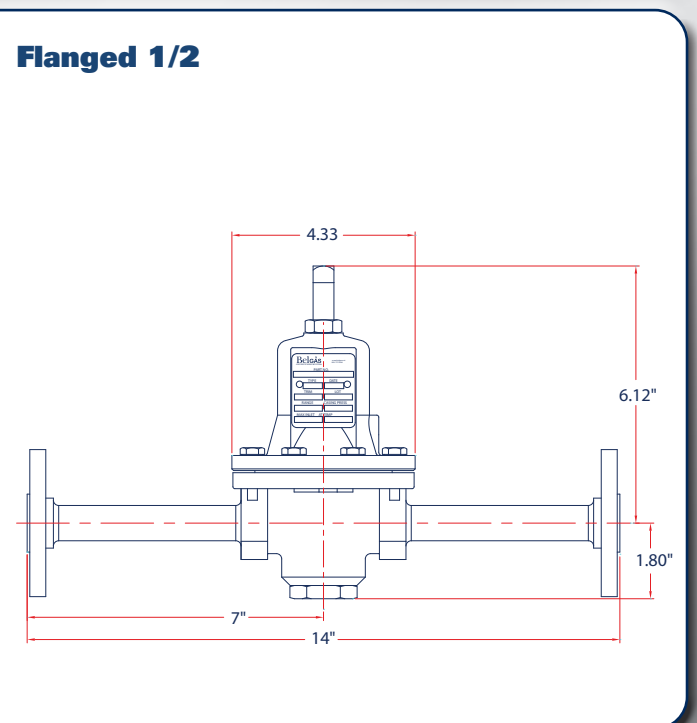
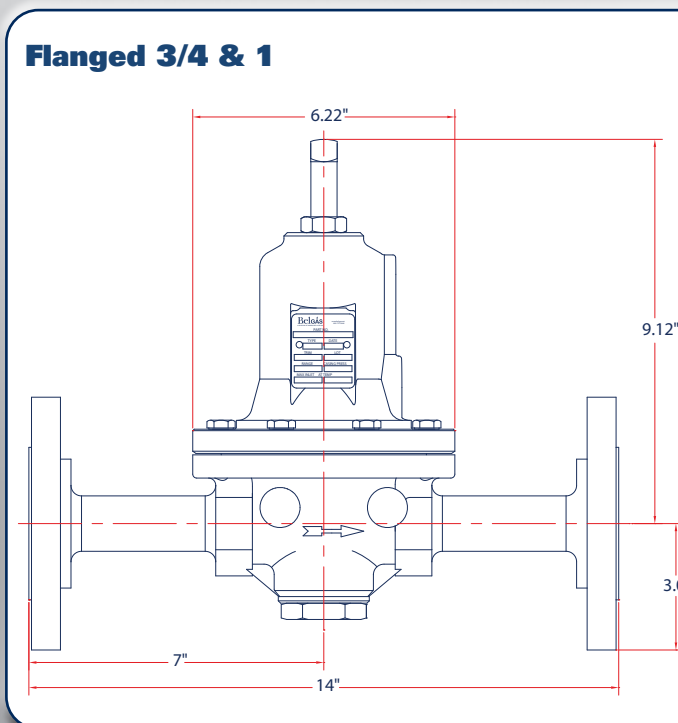
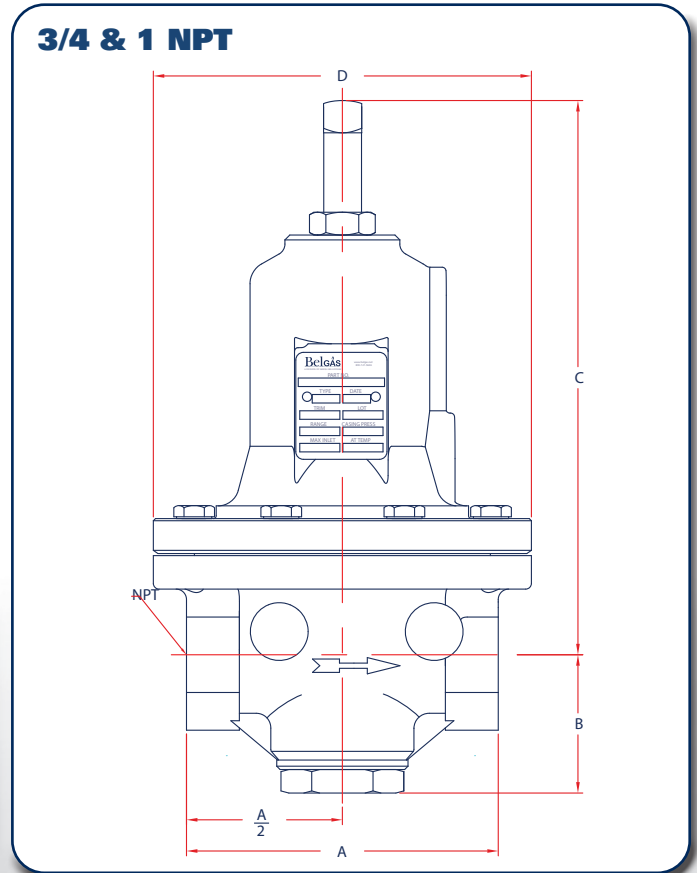
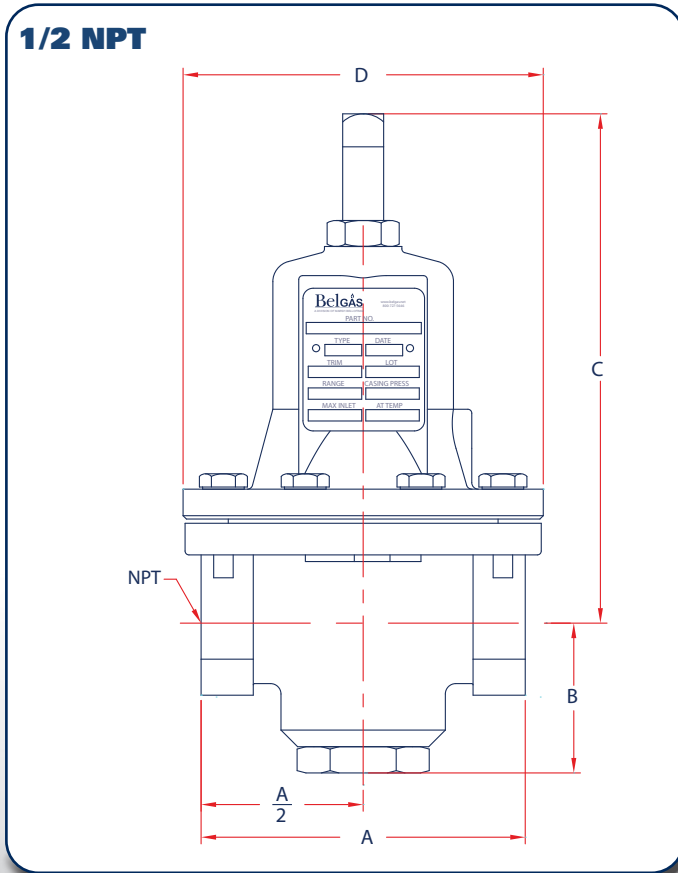




**P95H Dimension, Inches**

Nominal Body Size, Inches	A	B	C	D
1/2	3.90	1.80	6.12	4.33
3/4, 1	5.13	2.2	9.1	6.22



## P95H Repair Kits - 1/2" Ported

	Kit Includes	Part Number
302SS Diaphragm	302SS Diaphragm (2), Diaphragm Gasket, Brass Orifice, Brass/Neoprene Valve Plug, Valve Spring	971-P95-007
	302SS Diaphragm (2), Diaphragm Gasket, Brass Orifice, Brass/FKM Valve Plug, Valve Spring	971-P95-106
	302SS Diaphragm (2), Diaphragm Gasket, 416SS Orifice, 416SS/Neoprene Valve Plug, Valve Spring	971-P95-100
	302SS Diaphragm (2), Diaphragm Gasket, 416SS Orifice, 416SS/M to M Valve Plug, Valve Spring	971-P95-101
	302SS Diaphragm (2), Diaphragm Gasket, 416SS Orifice, 416SS/FKM Valve Plug, Valve Spring	971-P95-104
	302SS Diaphragm (2), Diaphragm Gasket, 316SS Orifice, 316SS/M to M Valve Plug, Valve Spring	971-P95-109
	302SS Diaphragm (2), Diaphragm Gasket, 316SS Orifice, 316SS/Neoprene Valve Plug, Valve Spring	971-P95-111
	302SS Diaphragm (2), Diaphragm Gasket, 316SS Orifice, 316SS/FKM Valve Plug, Valve Spring	971-P95-110
	302SS Diaphragm (2), Diaphragm Gasket, 316SS Orifice, Monel Valve Plug, Valve Spring	971-P95-113
	Neoprene Diaphragm	Neoprene Diaphragm, 416SS Orifice, 416SS/Neoprene Valve Plug, Valve Spring
Neoprene Diaphragm, 416SS Orifice, 416SS/FKM Valve Plug, Valve Spring		971-P95-127
Neoprene Diaphragm, Brass Orifice, Brass/Neoprene Valve Plug, Valve Spring		971-P95-103
Neoprene Diaphragm, Brass Orifice, Brass/FKM Valve Plug, Valve Spring		971-P95-129
Neoprene Diaphragm, 416SS Orifice, 416SS/M to M Valve Plug, Valve Spring		971-P95-126
Neoprene Diaphragm, 316SS Orifice, 316SS/M to M Valve Plug, Valve Spring		971-P95-131
Neoprene Diaphragm, 316SS Orifice, 316SS/Neoprene Valve Plug, Valve Spring		971-P95-133
Neoprene Diaphragm, 316SS Orifice, 316SS/FKM Valve Plug, Valve Spring		971-P95-132
Neoprene Diaphragm, 316SS Orifice, Monel Valve Plug, Valve Spring		971-P95-135
Neoprene Diaphragm, 316SS Orifice, 316SS/M to M Valve Plug, NACE Valve Spring		971-P95-153
Neoprene Diaphragm, 316SS Orifice, 316SS/Neoprene Valve Plug, NACE Valve Spring		971-P95-155
Neoprene Diaphragm, 316SS Orifice, 316SS/FKM Valve Plug, NACE Valve Spring		971-P95-154
Neoprene Diaphragm, 316SS Orifice, Monel Valve Plug, NACE Valve Spring		971-P95-157
Monel Diaphragm		Monel Diaphragm (2), Diaphragm Gasket, 416SS Orifice, 416SS/M to M Valve Plug, Valve Spring
	Monel Diaphragm (2), Diaphragm Gasket, 416SS Orifice, 416SS/Neoprene Valve Plug, Valve Spring	971-P95-138
	Monel Diaphragm (2), Diaphragm Gasket, 416SS Orifice, 416SS/FKM Valve Plug, Valve Spring	971-P95-137
	Monel Diaphragm (2), Diaphragm Gasket, Brass Orifice, Brass/Neoprene Valve Plug, Valve Spring	971-P95-141
	Monel Diaphragm (2), Diaphragm Gasket, Brass Orifice, Brass/FKM Valve Plug, Valve Spring	971-P95-140
	Monel Diaphragm (2), Diaphragm Gasket, 316SS Orifice, 316SS/M to M Valve Plug, Valve Spring	971-P95-143
	Monel Diaphragm (2), Diaphragm Gasket, 316SS Orifice, 316SS/Neoprene Valve Plug, Valve Spring	971-P95-145
	Monel Diaphragm (2), Diaphragm Gasket, 316SS Orifice, 316SS/FKM Valve Plug, Valve Spring	971-P95-144
	Monel Diaphragm (2), Diaphragm Gasket, 316SS Orifice, Monel Valve Plug, Valve Spring	971-P95-147
	Monel Diaphragm (2), Diaphragm Gasket, 316SS Orifice, 316SS/M to M Valve Plug, NACE Valve Spring	971-P95-158
	Monel Diaphragm (2), Diaphragm Gasket, 316SS Orifice, 316SS/Neoprene Valve Plug, NACE Valve Spring	971-P95-160
	Monel Diaphragm (2), Diaphragm Gasket, 316SS Orifice, 316SS/FKM Valve Plug, NACE Valve Spring	971-P95-159
	Monel Diaphragm (2), Diaphragm Gasket, 316SS Orifice, Monel Valve Plug, NACE Valve Spring,	971-P95-162
	FKM Diaphragm	FKM Diaphragm (2), Diaphragm Gasket, 416SS Orifice, 416SS/M to M Valve Plug, Valve Spring
FKM Diaphragm (2), Diaphragm Gasket, 416SS Orifice, 416SS/Neoprene Valve Plug, Valve Spring		971-P95-116
FKM Diaphragm (2), Diaphragm Gasket, 416SS Orifice, 416SS/FKM Valve Plug, Valve Spring		971-P95-115
FKM Diaphragm (2), Diaphragm Gasket, Brass Orifice, Brass/Neoprene Valve Plug, Valve Spring		971-P95-119
FKM Diaphragm (2), Diaphragm Gasket, Brass Orifice, Brass/FKM Valve Plug, Valve Spring		971-P95-118
FKM Diaphragm (2), Diaphragm Gasket, 316SS Orifice, 316SS/M to M Valve Plug, Valve Spring		971-P95-121
FKM Diaphragm (2), Diaphragm Gasket, 316SS Orifice, 316SS/Neoprene Valve Plug, Valve Spring		971-P95-123
FKM Diaphragm (2), Diaphragm Gasket, 316SS Orifice, 316SS/FKM Valve Plug, Valve Spring		971-P95-122
FKM Diaphragm (2), Diaphragm Gasket, 316SS Orifice, Monel Valve Plug, Valve Spring		971-P95-125
FKM Diaphragm (2), Diaphragm Gasket, 316SS Orifice, 316SS/M to M Valve Plug, NACE Valve Spring		971-P95-148
FKM Diaphragm (2), Diaphragm Gasket, 316SS Orifice, 316SS/Neoprene Valve Plug, NACE Valve Spring		971-P95-150
FKM Diaphragm (2), Diaphragm Gasket, 316SS Orifice, 316SS/FKM Valve Plug, NACE Valve Spring		971-P95-149
FKM Diaphragm (2), Diaphragm Gasket, 316SS Orifice, Monel Valve Plug, NACE Valve Spring		971-P95-152

## P95H Repair Kits - 3/4" & 1" Ported

	Kit Includes	Part Number
302SS Diaphragm	302SS Diaphragm (2), Diaphragm Gasket, 416SS Orifice, 416SS/Neoprene Valve Plug, Valve Spring	971-P95-000
	302SS Diaphragm (2), Diaphragm Gasket, 416SS Orifice, 416SS/FKM Valve Plug, Valve Spring	971-P95-004
	302SS Diaphragm (2), Diaphragm Gasket, 416SS Orifice, 416SS/M to M Valve Plug, Valve Spring	971-P95-001
	302SS Diaphragm (2), Diaphragm Gasket, 316SS Orifice, 316SS/M to M Valve Plug, Valve Spring	971-P95-009
	302SS Diaphragm (2), Diaphragm Gasket, 316SS Orifice, 316SS/Neoprene Valve Plug, Valve Spring	971-P95-011
	02SS Diaphragm (2), Diaphragm Gasket, 316SS Orifice, 316SS/FKM Valve Plug, Valve Spring	971-P95-010
	302SS Diaphragm (2), Diaphragm Gasket, Brass Orifice, Brass/Neoprene Valve Plug, Valve Spring	971-P95-107
	302SS Diaphragm (2), Diaphragm Gasket, Brass Orifice, Brass/FKM Valve Plug, Valve Spring	971-P95-006
Neoprene Diaphragm	Neoprene Diaphragm, 416SS Orifice, 416SS/Neoprene Valve Plug, Valve Spring	971-P95-002
	Neoprene Diaphragm, 416SS Orifice, 416SS/FKM Valve Plug, Valve Spring	971-P95-025
	Neoprene Diaphragm, Brass Orifice, Neoprene Valve Plug, Valve Spring	971-P95-003
	Neoprene Diaphragm, 416SS Orifice, 416SS/M to M Valve Plug, Valve Spring	971-P95-024
	Neoprene Diaphragm, 316SS Orifice, 316SS/M to M Valve Plug, Valve Spring	971-P95-029
	Neoprene Diaphragm, 316SS Orifice, 316SS/Neoprene Valve Plug, Valve Spring	971-P95-031
	Neoprene Diaphragm, 316SS Orifice, 316SS/M to M Valve Plug, NACE Valve Spring	971-P95-048
	Neoprene Diaphragm, 316SS Orifice, 316SS/FKM Valve Plug, NACE Valve Spring	971-P95-049
	Neoprene Diaphragm, 316SS Orifice, 316SS/Neoprene Valve Plug, NACE Valve Spring	971-P95-050
Monel Diaphragm	Monel Diaphragm (2), Diaphragm Gasket, 416SS Orifice, 416SS/M to M Valve Plug, Valve Spring	971-P95-033
	Monel Diaphragm (2), Diaphragm Gasket, 416SS Orifice, 416SS/FKM Valve Plug, Valve Spring	971-P95-034
	Monel Diaphragm (2), Diaphragm Gasket, 416SS Orifice, 416SS/Neoprene Valve Plug, Valve Spring	971-P95-035
	Monel Diaphragm (2), Diaphragm Gasket, Brass Orifice, Brass/Neoprene Valve Plug, Valve Spring	971-P95-038
	Monel Diaphragm (2), Diaphragm Gasket, Brass Orifice, Brass/FKM Valve Plug, Valve Spring	971-P95-037
	Monel Diaphragm (2), Diaphragm Gasket, Brass Orifice, Brass/FKM Valve Plug, Valve Spring	971-P95-030
	Monel Diaphragm (2), Diaphragm Gasket, 316SS Orifice, 316SS/M to M Valve Plug, Valve Spring	971-P95-040
	Monel Diaphragm (2), Diaphragm Gasket, 316SS Orifice, 316SS/Neoprene Valve Plug, Valve Spring	971-P95-042
	Monel Diaphragm (2), Diaphragm Gasket, 316SS Orifice, 316SS/FKM Valve Plug, Valve Spring	971-P95-041
	Monel Diaphragm (2), Diaphragm Gasket, 316SS Orifice, 316SS/FKM Valve Plug, Valve Spring	971-P95-030
	Monel Diaphragm (2), Diaphragm Gasket, 316SS Orifice, 316SS/M to M Valve Plug, NACE Valve Spring	971-P95-052
	Monel Diaphragm (2), Diaphragm Gasket, 316SS Orifice, 316SS/FKM Valve Plug, NACE Valve Spring	971-P95-053
	Monel Diaphragm (2), Diaphragm Gasket, 316SS Orifice, 316SS/Neoprene Valve Plug, NACE Valve Spring	971-P95-054

## P95H Steam Capacities<sup>1</sup> with Metal Diaphragm

Outlet Pressure Range	Outlet Pressure Setting		Inlet Pressure		1/2" Body Size		3/4" Body Size		1" Body Size	
	PSIG	BAR	PSIG	BAR	Offset		Offset		Offset	
					10%	20%	10%	20%	10%	20%
5 to 15 PSIG (0.35 to 1.0 BAR)	10	0.69	20	1.4	30	44	68	100	80	120
			30	2.1	36	48	84	170	100	200
			50	3.5	40	56	110	210	130	250
			75	5.2	40	56	190	340	220	400
			100	6.9	40	56	260	370	300	440
			150	10.3	40	56	310	480	360	560
			200	13.8	40	56	340	520	400	600
	15	1.0	250	17.2	40	56	340	520	400	600
			20	1.4	32	48	76	110	88	130
			30	2.1	44	60	130	180	150	210
			50	3.5	52	64	200	290	240	340
			75	5.2	56	68	270	370	320	440
			100	6.9	56	72	340	520	400	600
			150	10.3	56	72	440	600	520	720
200	13.8	56	72	440	600	520	720			
250	17.2	56	72	440	600	520	720			

Outlet Pressure Range	Outlet Pressure Setting		Inlet Pressure		1/2" Body Size			3/4" Body Size			1" Body Size		
	PSIG	BAR	PSIG	BAR	Offset			Offset			Offset		
					10%	20%	40%	10%	20%	40%	10%	20%	40%
15 to 30 PSIG (1.0 to 2.1 BAR)	15	1.0	30	2.1	27	42	66	66	93	150	66	99	160
			40	2.8	27	45	69	81	110	190	78	130	200
			50	3.5	27	45	66	87	130	200	100	160	250
			75	5.2	36	54	81	110	170	250	140	210	330
			100	6.9	42	63	87	120	180	270	160	240	360
			150	10.3	54	72	96	150	210	300	210	300	450
			200	13.8	66	84	110	180	240	330	260	360	480
	30	2.1	250	17.2	63	93	120	200	260	330	260	360	510
			300	20.7	81	99	130	220	290	360	300	420	540
			40	2.8	45	69	110	87	140	190	96	160	200
			50	3.5	39	63	100	120	180	230	120	200	250
			75	5.2	54	84	130	170	260	360	160	280	360
			100	6.9	60	90	130	190	290	420	220	330	480
			150	10.3	72	110	160	230	360	480	300	450	660
25 to 75 PSIG (1.7 to 5.2 BAR)	50	3.4	200	13.8	93	140	200	330	510	720	450	720	930
			250	17.2	93	140	210	350	540	750	510	780	1100
			300	20.7	110	150	220	360	540	780	570	810	1100
			100	6.9	69	110	190	240	360	450	260	390	450
			125	8.6	78	130	220	330	480	570	390	510	600
			150	10.3	96	140	230	360	540	660	390	630	750
			200	13.8	110	170	260	420	630	720	510	840	960
	75	5.2	250	17.2	120	180	290	480	720	780	660	990	1100
			300	20.7	140	210	300	480	750	840	690	1100	1400
			60	4.1	36	60	110	120	200	270	130	220	280
			75	5.2	42	69	120	180	260	360	190	290	360
			100	6.9	63	87	150	220	330	450	210	390	480
			150	10.3	75	110	170	250	390	540	280	480	630
			200	13.8	93	140	200	330	510	720	450	720	930
70 to 150 PSIG (4.8 to 10.3 BAR)	100	6.9	250	17.2	130	270	420	450	750	1100	630	1000	1200
			300	20.7	240	330	450	570	870	1200	780	1100	1400
			150	10.3	160	250	330	360	540	630	390	600	690
			175	12.0	140	230	360	390	630	780	480	750	840
			200	13.8	160	250	390	450	690	900	480	810	960
			250	17.2	130	270	420	450	750	1100	630	1000	1200
			300	20.7	240	330	450	570	870	1200	780	1100	1400
	125	8.6	150	10.3	160	250	330	360	540	630	390	600	690
			175	12.0	150	270	390	390	630	750	450	690	810
			200	13.8	170	280	420	480	750	870	510	840	930
			225	15.5	200	330	480	510	840	990	570	900	1100
			250	17.2	210	390	510	540	870	1100	600	1000	1200
			300	20.7	210	390	570	630	960	1400	780	1200	1400
			175	12.0	170	290	360	420	600	870	480	660	780
150	10.3	200	13.8	200	330	420	480	720	870	600	780	900	
		225	15.5	210	360	480	600	870	990	660	900	1100	
		250	17.2	270	420	540	600	900	1100	780	1100	1200	
		300	20.7	260	450	600	690	1100	1400	930	1300	1400	
		250	17.2	260	450	600	690	1100	1400	930	1300	1400	

1. Capacities are based in Pounds of saturated steam per hour.

### P95H Pressure Ranges

Nominal Body Size, Inches	Outlet or Differential Pressure Range		Spring Wire Diameter		Spring Part Number	Spring Color
	PSIG	BAR	Inches	mm		
1/2	5 to 15	.3 to 1	.192	4.88	655-754-000	White
	15 to 30	1.0 to 2.1	.218	5.54	655-714-000	Yellow
	25 to 75	1.7 to 5.2	.235	5.97	655-690-000	Green
	70 to 150	4.8 to 10.3	.281	7.14	655-714-001	Red
3/4, 1	5 to 15	.3 to 1	.252	6.40	655-753-000	White
	15 to 30	1.0 to 2.1	.306	7.77	655-712-000	Yellow
	25 to 75	1.7 to 5.2	.343	8.71	655-712-001	Green
	70 to 150	4.8 to 10.3	.406	10.31	655-712-002	Red

### P95H Air SCFH Capacities with Elastomer Diaphragm

Outlet Pressure Range	Outlet Pressure Setting		Inlet Pressure		1/2" Body Size Offset		3/4" Body Size Offset		1" Body Size Offset	
	PSIG	BAR	PSIG	BAR	10%	20%	10%	20%	10%	20%
	5 to 15 PSIG (0.35 to 1.0 BAR)	10	0.69	20	1.4	750	1100	1700	2500	2000
30				2.1	900	1200	2100	4200	2500	5000
50				3.5	1000	1400	2800	5300	3300	6300
75				5.2	1000	1400	4700	8500	5500	10,000
100				6.9	1000	1400	6400	9300	7500	11,000
150				10.3	1000	1400	7700	12,000	9000	14,000
200				13.8	1000	1400	8500	13,000	10,000	15,000
15		1.0	20	1.4	800	1200	1900	2700	2200	3200
			30	2.1	1100	1500	3200	4500	3800	5300
			50	3.5	1300	1600	5100	7200	6000	8500
			75	5.2	1400	1650	6800	9300	8000	11,000
			100	6.9	1400	1800	8500	13,000	10,000	15,000
			150	10.3	1400	1800	11,000	15,000	13,000	18,000
			200	13.8	1400	1800	11,000	15,000	13,000	18,000

Outlet Pressure Range	Outlet Pressure Setting		Inlet Pressure		1/2" Body Size Offset			3/4" Body Size Offset			1" Body Size Offset		
	PSIG	BAR	PSIG	BAR	10%	20%	40%	10%	20%	40%	10%	20%	40%
	15 to 30 PSIG (1.0 to 2.1 BAR)	15	1.0	30	2.1	900	1400	2200	2200	3100	4900	2200	3300
40				2.8	900	1500	2300	2700	3800	6200	2600	4200	6500
50				3.5	900	1500	2200	2900	4300	6800	3400	5400	8200
75				5.2	1200	1800	2700	3800	5500	8400	4800	7000	11,000
100				6.9	1400	2100	2900	4000	6000	9000	5400	8000	12,000
150				10.3	1800	2400	3200	5000	7000	10,000	7000	10,000	15,000
200				13.8	2200	2800	3600	6000	8000	11,000	8700	11,700	16,000
30		2.1	250	17.2	2100	3100	3900	6800	8700	11,000	8500	12,000	17,000
			300	20.7	2700	3300	4300	7400	9600	12,000	10,000	14,000	18,000
			40	2.8	1500	2300	3500	2900	4500	6200	3200	5200	6600
			50	3.5	1300	2100	3400	4000	6000	7800	4000	6600	8300
			75	5.2	1800	2800	4200	5700	8500	12,000	5400	9300	12,000
			100	6.9	2000	3000	4400	6300	9800	14,000	7400	11,000	16,000
			150	10.3	2400	3800	5300	7700	12,000	16,000	10,000	15,000	22,000
25 to 75 PSIG (1.7 to 5.2 BAR)	50	3.4	200	13.8	3100	4300	5800	9200	12,000	17,000	12,000	18,000	26,000
			250	17.2	3500	4600	6300	9000	13,000	18,000	14,000	20,000	27,000
			300	20.7	4000	4900	6600	10,000	14,000	19,000	15,000	21,000	28,000
			60	4.1	1200	2000	3800	4000	6700	9000	4400	7200	9200
			75	5.2	1400	2300	3900	6000	8600	12,000	6300	9600	12,000
			100	6.9	2100	2900	5000	7400	11,000	15,000	7000	13,000	16,000
			150	10.3	2500	3700	5700	8300	13,000	21,000	16,000	18,000	24,000
	75	5.2	200	13.8	3100	4600	6500	11,000	17,000	24,000	15,000	24,000	31,000
			250	17.2	3100	4500	6900	12,000	18,000	25,000	17,000	26,000	36,000
			300	20.7	3500	5100	7300	12,000	18,000	26,000	19,000	27,000	38,000
			100	6.9	2300	3700	6200	8000	12,000	15,000	8700	13,000	15,000
			125	8.6	2600	4300	7300	11,000	16,000	19,000	13,000	17,000	20,000
			150	10.3	3200	4700	7700	12,000	18,000	22,000	13,000	21,000	25,000
			200	13.8	3700	5500	8500	14,000	21,000	24,000	17,000	28,000	32,000
70 to 150 PSIG (4.8 to 10.3 BAR)	100	6.9	250	17.2	4000	6100	9500	16,000	24,000	25,000	22,000	33,000	38,000
			300	20.7	4700	7100	10,000	16,000	25,000	28,000	23,000	35,000	45,000
			125	8.6	3400	5800	8800	8500	14,000	18,000	11,000	16,000	19,000
			150	10.3	4000	6800	11,000	12,000	18,000	22,000	14,000	20,000	23,000
			175	12.0	4800	7800	12,000	13,000	21,000	26,000	16,000	25,000	28,000
			200	13.8	5200	8200	13,000	15,000	23,000	30,000	16,000	27,000	32,000
			250	17.2	4300	8900	14,000	15,000	25,000	37,000	21,000	34,000	39,000
	125	8.6	300	20.7	8000	11,000	15,000	19,000	29,000	41,000	26,000	38,000	46,000
			150	10.3	5200	8200	11,000	12,000	18,000	21,000	13,000	20,000	23,000
			175	12.0	5000	9000	13,000	13,000	21,000	25,000	15,000	23,000	27,000
			200	13.8	5500	9300	14,000	16,000	25,000	29,000	17,000	28,000	31,000
			225	15.5	6800	11,000	16,000	17,000	28,000	33,000	19,000	30,000	35,000
			250	17.2	6900	13,000	17,000	18,000	29,000	37,000	20,000	34,000	39,000
			300	20.7	7000	13,000	19,000	21,000	32,000	45,000	26,000	41,000	46,000
150	10.3	175	12.0	5600	9500	12,000	14,000	20,000	29,000	16,000	22,000	26,000	
		200	13.8	6500	11,000	14,000	16,000	24,000	29,000	20,000	26,000	30,000	
		225	15.5	7100	12,000	16,000	20,000	29,000	33,000	22,000	30,000	35,000	
		250	17.2	9000	14,000	18,000	20,000	30,000	37,000	26,000	35,000	39,000	
		300	20.7	8700	15,000	20,000	23,000	37,000	45,000	31,000	44,000	46,000	

## P95H Water Capacities with Elastomer Diaphragm<sup>1</sup>

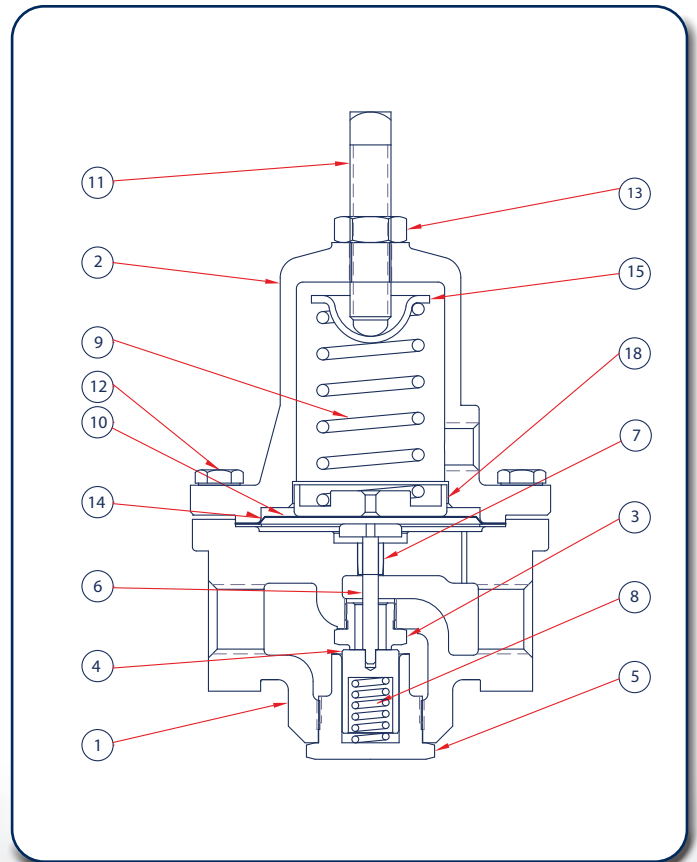
Outlet Pressure Range	Outlet Pressure Setting		Inlet Pressure		1/2" Body Size		3/4" Body Size		1" Body Size	
					Offset		Offset		Offset	
	PSIG	BAR	PSIG	BAR	10%	20%	10%	20%	10%	20%
5 to 15 PSIG (0.35 to 1.0 BAR)	10	0.69	20	1.4	3.7	5.0	7.0	10	8.3	12
			30	2.1	4.0	5.2	10	13	12	16
			50	3.5	4.2	5.3	12	17	14	20
			75	5.2	4.2	5.3	12	20	14	25
			100	6.9	4.2	5.3	12	22	14	27
			150	10.3	4.2	5.3	12	22	14	27
			200	13.8	4.2	5.3	12	22	14	27
	15	1.0	20	1.4	3.5	5.0	7.0	8.5	8.3	10
			30	2.1	4.7	5.8	11	13	13	15
			50	3.5	4.8	6.2	15	17	18	20
			75	5.2	5.0	6.3	15	22	18	27
			100	6.9	5.0	6.3	15	28	18	33
			150	10.3	5.0	6.3	15	32	18	37
			200	13.8	5.0	6.3	15	35	18	42
250	17.2	5.0	6.3	15	35	20	42			

Outlet Pressure Range	Outlet Pressure Setting		Inlet Pressure		1/2" Body Size			3/4" Body Size			1" Body Size		
					Offset			Offset			Offset		
	PSIG	BAR	PSIG	BAR	10%	20%	40%	10%	20%	40%	10%	20%	40%
15 to 30 PSIG (1.0 to 2.1 BAR)	15	1.0	30	2.1	2.0	3.2	6.8	7.0	10	15	8.0	11	16
			40	2.8	3.0	5.0	7.0	8.0	12	18	8.0	13	20
			50	3.5	4.0	5.5	7.2	9.0	14	20	8.5	15	23
			75	5.2	5.0	6.5	7.4	12	18	26	13	21	29
			100	6.9	5.0	6.5	7.6	13	19	28	19	26	34
			150	10.3	5.0	6.5	7.8	15	22	31	25	36	42
			200	13.8	5.1	6.5	8.0	19	25	35	32	37	44
			250	17.2	5.1	6.6	8.5	20	27	37	33	37	46
	30	2.1	40	2.8	2.8	4.9	9.5	9.0	13	17	8.5	14	17
			50	3.5	3.5	5.7	10	11	16	21	11	18	22
			75	5.2	4.0	5.9	13	15	21	28	16	25	29
			100	6.9	5.0	6.1	14	17	24	33	19	31	34
			150	10.3	6.0	6.5	14	21	30	40	30	39	42
			200	13.8	6.5	6.9	14	24	31	46	35	48	49
25 to 75 PSIG (1.7 to 5.2 BAR)	50	3.4	250	17.2	6.5	7.0	14	25	35	49	36	53	55
			300	20.7	7.0	7.5	14	26	36	53	37	54	60
			60	4.1	4.0	6.5	12	9.0	14	20	12	17	23
			75	5.2	5.0	8.6	12	12	20	25	14	21	27
			100	6.9	5.5	9.0	13	15	24	31	16	26	34
			150	10.3	6.0	9.5	13	23	32	40	20	36	42
			200	13.8	6.5	10	14	24	34	47	30	42	49
	75	5.2	250	17.2	7.0	11	14	26	39	51	33	49	55
			300	20.7	7.3	11	15	25	40	55	40	55	60
			100	6.9	9.5	12	15	16	23	28	16	24	30
			125	8.6	10	14	18	20	29	33	21	31	36
			150	10.3	11	15	21	23	33	39	24	37	42
			200	13.8	11	15	23	28	41	47	29	46	49
			250	17.2	11	15	23	32	43	52	37	50	55
70 to 150 PSIG (4.8 to 10.3 BAR)	100	6.9	300	20.7	11	15	23	33	49	56	39	56	60
			125	8.6	7.0	11	16	15	24	30	30	24	32
			150	10.3	8.0	14	19	17	27	35	35	30	38
			175	12.0	9.0	15	21	24	28	40	40	33	43
			200	13.8	9.5	15	23	25	37	45	45	41	48
			250	17.2	10	16	24	29	42	52	52	42	54
	125	8.6	300	20.7	11	16	24	33	48	57	57	43	58
			125	8.7	7.8	12	18	19	25	32	17	27	35
			150	10.3	9.0	15	20	23	32	37	22	33	40
			175	12.0	9.5	16	23	27	36	42	24	35	47
			200	13.8	10	18	25	32	40	47	29	38	49
			250	17.2	11	18	26	34	44	51	32	42	53
	150	10.3	300	20.7	12	18	28	36	47	57	38	44	59
			175	12.0	8.7	14	19	21	28	34	34	26	37
200			13.8	10	17	22	24	33	40	40	34	42	
225			15.5	12	19	24	29	37	45	45	39	48	
250			17.2	13	20	26	30	41	50	50	45	52	
300			20.7	13	20	28	35	49	55	55	53	59	

1. Capacities are based in gallons per minute of water.

## P95H Parts for 1/2" Body

		Description	Qty.	Part Number
1	Body	Cast Iron, 1/2"	1	664-333-000
		Steel, 1/2"		664-334-000
		Stainless Steel, 1/2"		664-335-000
2	Bonnet	Cast Iron, Tapped	1	604-251-000
		Steel, Tapped		604-250-000
		Stainless Steel, Tapped		604-252-000
3	Orifice	416 SS (Metal)	1	688-025-000
		Brass		688-031-000
		416 SS (Composite)		688-029-000
		316 SS (Metal)		688-026-000
		316 SS (Composite)		688-030-000
4	Valve Plug	Seat, 416 SS (Metal)	1	650-151-000
		416 SS / Neoprene Seat		822-030-001
	Valve Plug Assemblies	Brass / Neoprene Seat		822-032-001
		416 SS / Fluorocarbon		822-030-000
		Brass / Fluorocarbon		822-032-000
	316 SS / Fluorocarbon	822-031-000		
	Valve Plug	Seat, 316 SS (Metal)		650-152-000
Valve Plug	Seat, Monel (Metal)	650-162-000		
Assembly - 316 SS / Neoprene Seat	822-031-001			
5	Valve Plug Guide	416 SS (Metal)	1	639-109-000
		Brass		639-110-000
		316 SS (Metal)		639-111-000
6	Stem Assembly	416 SS	1	811-080-001
		316 SS		811-080-000
7	Stem Guide Bushing	416 SS	1	608-079-000
		316 SS		608-078-000
8	Valve Plug Spring	Stainless Steel		655-713-000
		Inconel		655-716-000
9	Range Springs	5-15 PSIG, White	1	655-754-000
		15-30 PSIG, Yellow		655-714-000
		25-75 PSIG, Green		655-690-000
		70-150 PSIG, Red		655-714-001
10	Dia- phragm	Neoprene	1	618-087-000
		Fluorocarbon		618-088-000
		302 Stainless Steel		618-082-000
		Monel		618-081-000
11	Adjusting Screw, Steel	Adjusting Screw, Steel	1	648-487-000
		Adjusting Screw, SS		648-487-001
12	Build Screws, Steel	Build Screws, Steel	8	648-463-009
		Build Screws, SS		648-547-001
13	Jam Nut, Steel	Jam Nut, Steel	1	634-179-000
		Jam Nut, SS		634-185-000
14	Diaphragm Gasket, Composition		1	624-073-000
15	Spring Guide, Steel		1	626-079-000
16	NACE Tag (Not Shown)		1	632-503-000
17	P95H Nameplate (Not Shown)		1	632-524-000
18	Piston, Aluminum		1	637-323-000
19	Nameplate Drive Screws		2	648-464-000
21	Vent Screen		1	647-023-000
22	Diaphragm Protector		1	641-011-000



### P95H Maximum Body & Bonnet Temp Range

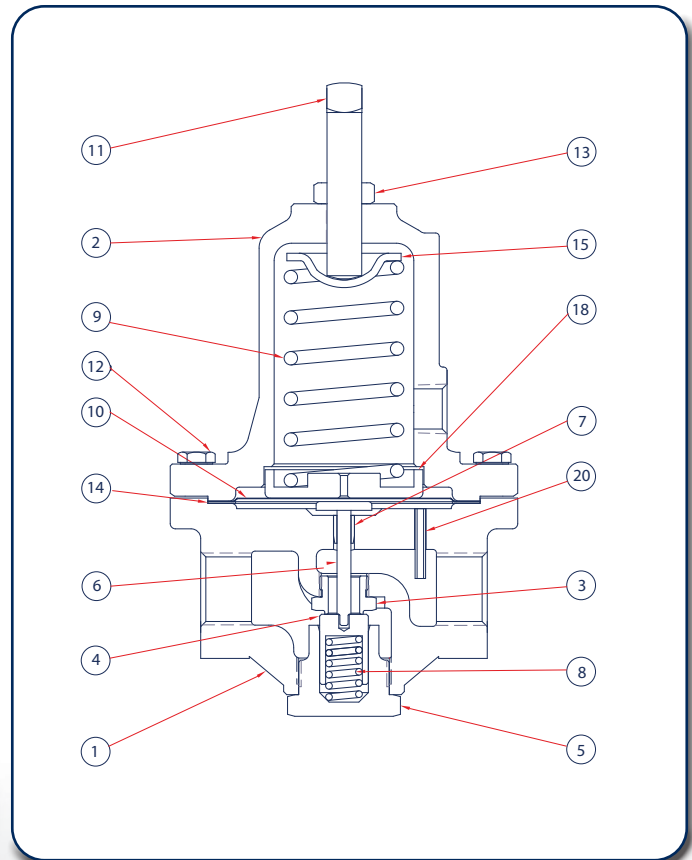
Cast Iron	-40° to +406°F	-40° to +208°C
Steel	-20° to +450°F	-29° to +232°C
Stainless	-40° to +450°F	-40° to +232°C

### P95H Maximum Diaphragm & Seat Temp Range

Nitrile	-40° to +180°F	-40° to +82°C
Neoprene	-40° to +180°F	-40° to +82°C
Stainless	-40° to +650°F	-40° to +343°C

## P95H Parts for 3/4" & 1" Bodies

Item		Description	Part Number
1	Body	Cast Iron, 3/4"	664-329-000
		Cast Iron, 1"	664-329-001
		Steel, 3/4"	664-330-000
		Steel, 1"	664-330-001
		Stainless Steel, 3/4"	664-331-000
		Stainless Steel, 1"	664-331-001
2	Bonnet	Cast Iron, Tapped	604-244-000
		Steel, Tapped	604-243-000
		Stainless Steel Tapped	604-246-000
3	Orifice	416 SS (Metal / Metal)	688-020-000
		Brass	688-022-000
		416 SS (Composite)	688-023-000
		316 SS (Metal)	688-024-000
		316 SS (Composite)	688-021-000
4	Valve Plug Assemblies	Valve Plug Seat, 416 SS (Metal)	650-145-000
		416 SS / Neoprene Seat	822-026-001
		Brass / Neoprene Seat	822-028-001
		416 SS / Fluorocarbon	822-026-000
		Brass / Fluorocarbon	822-028-000
		316 SS / Fluorocarbon	822-027-000
		Valve Plug Assembly, 316 SS (Metal) / Neoprene Seat	822-027-001
5	Valve Plug Guide	416 SS (Metal)	639-106-000
		Brass	639-107-000
		316 SS (Metal)	639-108-000
6	Stem Assembly	416 SS	811-079-001
		316 SS	811-079-000
7	Stem Guide Bushing	416 SS	608-077-000
		316 SS	608-076-000
8	Valve Plug Spring	Stainless Steel	655-710-000
		Inconel	655-711-000
9	Range Springs	5-15 PSIG, White	655-753-000
		15-30 PSIG, Yellow	655-712-000
		25-75 PSIG, Green	655-712-001
		70-150 PSIG, Red	655-712-002
10	Dia-phragm	Neoprene	618-075-000
		Fluorocarbon	618-076-000
		302 Stainless Steel	618-077-000
		Monel	618-078-000
11	Adjusting Screw	Steel	648-519-000
		SS	648-519-001
12	Build Screws	Steel	648-463-002
		SS	648-547-000
13	Jam Nut	Steel	634-181-000
		SS	634-181-001
14	Diaphragm Gasket	Composition	624-072-000
15	Spring Guide	Steel	626-100-000
16	NACE Tag (Not Shown)		632-503-000
17	P95H Nameplate (Not Shown)		632-524-000
18	Piston	Aluminum	637-321-000
19	Nameplate Drive Screws (Not Shown)		648-464-000
20	Pitot Tube		660-064-000
21	Vent Screen		647-023-001
22	Diaphragm Protector		641-011-000



### P95H Maximum Body & Bonnet Temp Range

Cast Iron	-40° to +406°F	-40° to +208°C
Steel	-20° to +450°F	-29° to +232°C

### P95H Maximum Diaphragm & Seat Temp Range

Nitrile	-40° to +180°F	-40° to +82°C
Neoprene	-40° to +180°F	-40° to +82°C

# P95H Regulator 1-1/2" & 2"



- Large Capacity
- Working Media Including Air, Steam and Liquids
- All Vents are Tapped

The P95H is a direct operating pressure reducing regulator with large capacity. Ideally suited for uses in oil and gas, process gases, steam and liquids. Available in four spring ranges and metal or elastomer diaphragm and orifice seat materials.

## Applications

- Steam Injection
- In-line Gas and Liquid Control
- Chemical Boilers, Process Heaters



P95H		0 0									
	↑	↑	↑	↑	↑	↑	↑	Body Size			
	14							1-1/2 NPT			
	16							2 NPT			
								Spring Range			
								PSIG		BAR	
	080							5 - 80		0.34 - 5.5	
	120							60 - 120		4.1 - 8.3	
	140							100 - 140		6.9 - 9.6	
	150							120 - 150		8.3 - 10.3	
								Options			
	0							Standard			
	A							150 RF*			
	B							300 RF*			
	C							600 RF*			
	D							Socket Weld*			
	0 0							Place Holder			
								Valve Plug / Orifice Material			
	A							416 SS (Metal / Metal)			
	G							Brass / Neoprene			
	I							316 SS (Metal / Metal)			
	K							316 SS / Neoprene			
								Diaphragm Material			
	0							302 SS			
	3							Neoprene			
								Case / Body Material			
	0							Iron / Iron			
	1							Steel / Steel			
	3							Iron / Steel			

## Specifications

Maximum Inlet		
	250 PSIG	Iron / NPT
	300 PSIG	Steel / ALL
Pressure Ranges		
	5-80 PSIG	
	60-120 PSIG	
	100-140 PSIG	
	120-150 PSIG	
Body Size		
	1-1/2 NPT	
	2 NPT	
Weight Approximate		
1-1/2" NPT	73 lb.	33.1 kg
2" NPT		

## P95H Flow Coefficients

Body Size, Inches	Wide Open Coefficients (For Relief Sizing)			C <sub>1</sub>	K <sub>m</sub>
	C <sub>v</sub>	C <sub>G</sub>	C <sub>S</sub>		
1-1/2	12.5	475	23.75	38	0.83
2					

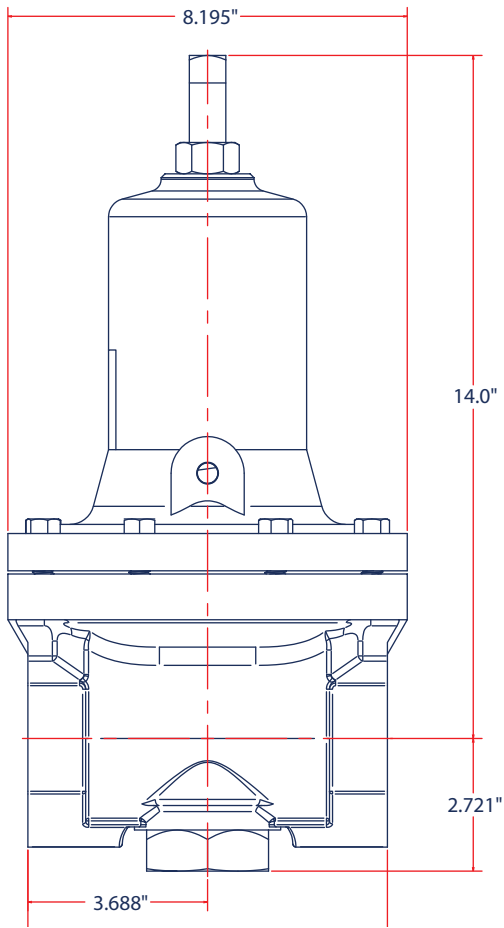
## P95H Maximum Pressures

Nominal Body Size, Inches (DN)	Body and Spring Case Materials	End Connections	Max Inlet Pressure		Max Outlet Pressure	
			PSIG	BAR	PSIG	BAR
1-1/2 2	Cast Iron	NPT	250	17.2	150	10.3
	Steel	NPT	300	20.7	150	10.3
	Steel	150RF	300	19.7	150	10.3
	Steel	300RF	300	20.7	150	10.3
	Steel	600RF	300	41.2	150	10.3
	Steel	Socket Weld	300	20.7	150	10.3

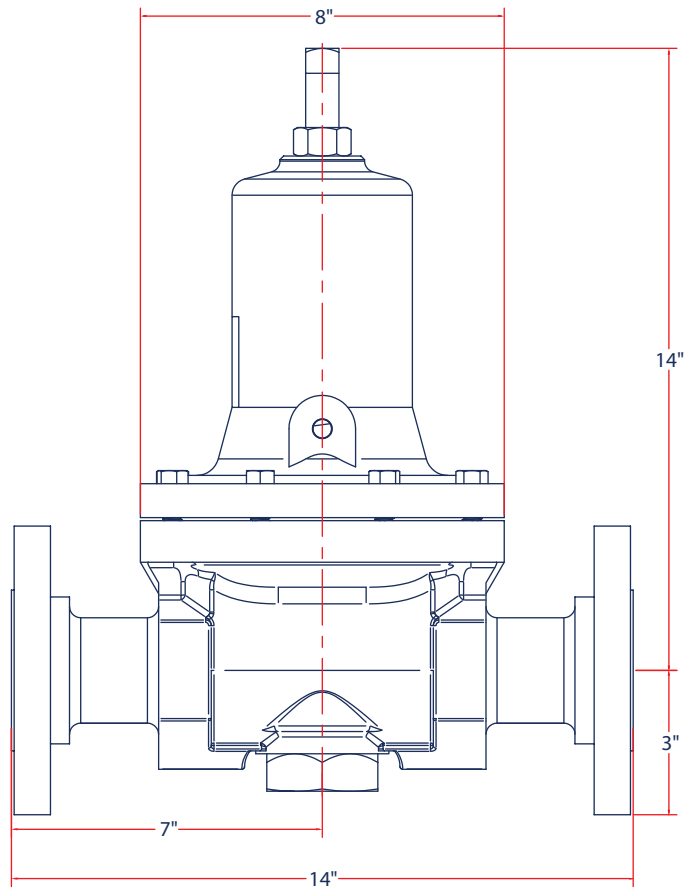
## Materials of Construction

Body, Bonnet, Diaphragm Case	
Options	Cast Iron
	Steel
Diaphragm	
Options	302SS
	Neoprene
Supply Valve Shutoff	
Options	Metal to Metal
	Metal to Elastomer

### P95H 1-1/2 NPT & 2 NPT



### P95H Flanged 1-1/2 NPT & 2 NPT



### P95H Repair Kits - 1-1/2" & 2" Ported

	Kit Includes	Part Number
302SS Diaphragm	302SS Diaphragm (2), Diaphragm Gasket, 416SS Orifice, 416SS / Neoprene Valve Plug, Valve Spring	971-P95-500
	302SS Diaphragm (2), Diaphragm Gasket, 416SS Orifice, 416SS / M to M Valve Plug, Valve Spring	971-P95-501
	302SS Diaphragm (2), Diaphragm Gasket, 316SS Orifice, 316SS / M to M Valve Plug, Valve Spring	971-P95-509
	302SS Diaphragm (2), Diaphragm Gasket, 316SS Orifice, 316SS / Neoprene Valve Plug, Valve Spring	971-P95-511
	302SS Diaphragm (2), Diaphragm Gasket, Brass Orifice, Brass / Neoprene Valve Plug, Valve Spring	971-P95-507
	302SS Diaphragm (2), Diaphragm Gasket, 316SS Orifice, 316SS / PTFE Valve Plug, Valve Spring	971-P95-512
Neoprene Diaphragm	Neoprene Diaphragm, Brass Orifice, Neoprene Valve Plug, Valve Spring	971-P95-503
	Neoprene Diaphragm, 416SS Orifice, 416SS / M to M Valve Plug, Valve Spring	971-P95-524
	Neoprene Diaphragm, 316SS Orifice, 316SS / M to M Valve Plug, Valve Spring	971-P95-529
	Neoprene Diaphragm, 316SS Orifice, 316SS / Neoprene Valve Plug, Valve Spring	971-P95-531
	Neoprene Diaphragm, 316SS Orifice, 316SS / Neoprene Valve Plug, NACE Valve Spring	971-P95-550
	Neoprene Diaphragm, 316SS Orifice, 316SS / PTFE Valve Plug, Valve Spring	971-P95-532

# P95H Air Capacities with an Elastomer or Stainless Steel Diaphragm

Outlet Pressure Range	Outlet Pressure Setting		Inlet Pressure		1-1/2" Body Size (DN40)						2" Body Size (DN50)					
					Offset						Offset					
	PSIG	BAR	PSIG	BAR	10%		20%		40%		10%		20%		40%	
					SCFH	Nm³/h	SCFH	Nm³/h	SCFH	Nm³/h	SCFH	Nm³/h	SCFH	Nm³/h	SCFH	Nm³/h
5 to 80 PSIG (0.35 to 5.5 BAR)	5	0.35	10	0.7	950	25.5	1000	26.8	1500	40.2	1000	26.8	1100	29.5	150	40.2
			20	1.4	2100	56.3	2500	67.0	4300	115.0	1800	48.2	2000	53.6	2600	69.7
			30	2.1	2500	67.0	3000	80.4	5000	134.0	3400	91.1	4600	123.0	7300	196.0
			50	3.5	3500	93.8	4000	107.0	6000	161.0	4000	107.0	5500	147.0	9000	241.0
			75	5.2	5000	134.0	6000	161.0	8000	214.0	5500	147.0	7000	188.0	11000	295.0
			100	6.9	6500	174.0	8000	214.0	9500	255.0	9000	241.0	12000	322.0	14000	375.0
			150	10.3	8500	228.0	11000	295.0	12000	322.0	15000	402.0	18000	482.0	21000	563.0
			200	13.8	12000	322.0	14000	375.0	17000	456.0	16000	429.0	19000	509.0	21000	563.0
			250	17.2	15000	402.0	17000	456.0	19000	509.0	18000	482.0	20000	536.0	22000	590.0
			300	20.7	18000	482.0	20000	536.0	21000	563.0	19000	509.0	21000	563.0	23000	616.0
	30	2.1	40	2.8	3400	91.1	6100	163.0	10000	268.0	4500	121.0	6200	166.0	11000	295.0
			50	3.5	4500	121.0	9000	241.0	14000	375.0	8000	214.0	10000	268.0	15000	402.0
			75	5.2	6000	161.0	12000	322.0	18000	482.0	15000	402.0	20000	536.0	25000	670.0
			100	6.9	8000	214.0	15000	402.0	23000	616.0	24000	643.0	30000	804.0	35000	938.0
			150	10.3	12000	322.0	21000	563.0	35000	938.0	44000	1179.0	50000	134.0	54000	1447.0
			200	13.8	20000	536.0	31000	831.0	38000	1018.0	48000	1286.0	55000	1474.0	58000	1554.0
			250	17.2	25000	670.0	35000	938.0	41000	1099.0	51000	1367.0	58000	1554.0	60000	1608.0
	50	3.4	300	20.7	29000	777.0	38000	1018.0	44000	1179.0	53000	1420.0	59000	1581.0	61000	1635.0
			60	4.1	6300	169.0	10000	268.0	20000	536.0	6500	174.0	11000	295.0	21000	563.0
			75	5.2	9000	241.0	14000	375.0	32000	858.0	12000	322.0	20000	536.0	35000	938.0
			100	6.9	10000	268.0	19000	509.0	45000	1206.0	20000	536.0	40000	1072.0	55000	1474.0
			150	10.3	13000	348.0	28000	750.0	61000	1635.0	30000	804.0	68000	1822.0	75000	2010.0
			200	13.8	21000	563.0	36000	965.0	64000	1715.0	43000	1152.0	75000	2010.0	83000	2224.0
	75	5.2	250	17.2	31000	831.0	45000	1206.0	66000	1769.0	55000	1474.0	80000	2144.0	86000	2305.0
			300	20.7	39000	1045.0	51000	1367.0	67000	1796.0	65000	1742.0	84000	2251.0	89000	2385.0
			100	6.9	14000	375.0	22000	590.0	42000	1126.0	15000	402.0	28000	750.0	50000	1340.0
			125	8.6	17000	456.0	30000	804.0	55000	1474.0	20000	536.0	45000	1206.0	65000	1742.0
			150	10.3	20000	536.0	39000	1045.0	71000	1903.0	26000	697.0	69000	1849.0	76000	2037.0
			200	13.8	23000	616.0	49000	1313.0	81000	2171.0	50000	1340.0	90000	2412.0	96000	2573.0
	60 to 120 PSIG (4.1 to 8.3 BAR)	100	6.9	250	17.2	33000	884.0	57000	1528.0	85000	2278.0	70000	1876.0	110000	2948.0	110000
300				20.7	43000	1152.0	65000	1742.0	88000	2358.0	90000	2412.0	120000	3216.0	120000	3216.0
125				8.6	11000	295.0	29000	777.0	50000	1340.0	12000	322.0	30000	804.0	54000	1447.0
150				10.3	22000	590.0	37000	992.0	64000	1715.0	25000	670.0	45000	1206.0	71000	1903.0
175				13.8	25000	670.0	47000	1260.0	75000	2010.0	33000	884.0	52000	1394.0	90000	2412.0
225				15.5	28000	750.0	62000	1662.0	95000	2546.0	38000	1018.0	62000	1662.0	95000	2546.0
100 to 140 PSIG (6.9 to 9.7 BAR)	125	8.6	250	17.2	33000	884.0	70000	1876.0	110000	2948.0	45000	1206.0	70000	1876.0	130000	3484.0
			300	20.7	40000	1072.0	88000	2358.0	120000	3216.0	55000	1474.0	80000	2144.0	150000	4020.0
			150	10.3	21000	563.0	40000	1072.0	64000	1715.0	22000	590.0	40000	1072.0	65000	1742.0
			175	13.8	25000	670.0	47000	1260.0	74000	1983.0	32000	858.0	50000	1340.0	75000	2010.0
			200	13.8	28000	750.0	54000	1447.0	90000	2412.0	39000	1045.0	70000	1876.0	90000	2412.0
			225	15.5	30000	804.0	60000	1608.0	100000	2680.0	46000	1233.0	100000	2680.0	110000	2948.0
120 to 150 PSIG (8.3 to 10.3 BAR)	150	10.3	250	17.2	35000	938.0	70000	1876.0	110000	2948.0	56000	1501.0	120000	3216.0	130000	3484.0
			300	20.7	42000	1126.0	85000	2276.0	130000	3484.0	86000	2305.0	150000	4020.0	150000	4020.0
			175	13.8	19000	509.0	32000	858.0	54000	1447.0	20000	536.0	33000	884.0	55000	1474.0
			200	13.8	23000	616.0	44000	1179.0	79000	2117.0	24000	643.0	45000	1206.0	80000	2144.0
			225	15.5	29000	777.0	61000	1635.0	100000	2680.0	29000	777.0	61000	1635.0	100000	2680.0
250	17.2	35000	938.0	70000	1876.0	120000	3216.0	49000	1313.0	96000	2573.0	120000	3216.0			
300	20.7	45000	1206.0	90000	2412.0	150000	4020.0	86000	2305.0	140000	3752.0	150000	4020.0			

## P95H Steam Capacities (saturated) with Stainless Steel Diaphragm

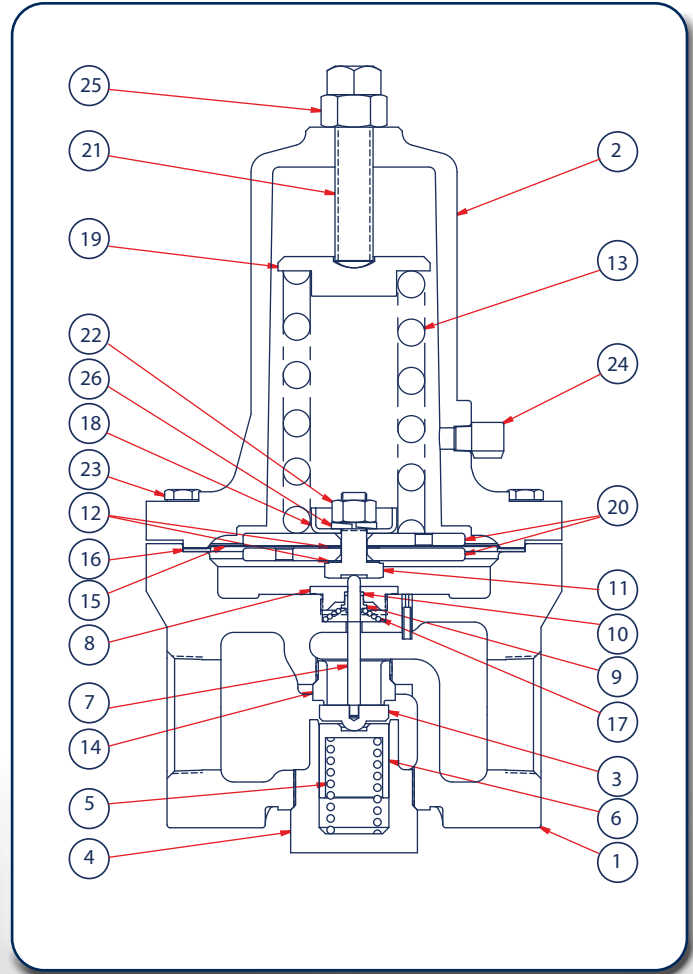
Outlet Pressure Range	Outlet Pressure Setting		Inlet Pressure		1-1/2" Body Size (DN40)						2" Body Size (DN50)								
					Offset						Offset								
	PSIG	BAR	PSIG	BAR	10%		20%		40%		10%		20%		40%				
					Pds/h	Kg/h	Pds/h	Kg/h	Pds/h	Kg/h	Pds/h	Kg/h	Pds/h	Kg/h	Pds/h	Kg/h			
5 to 80 PSIG (0.35 to 5.5 BAR)	5	0.35	10	0.7	48	22.0	50	23.0	75	34.0	50	23.0	55	25.0	75	34.0			
			20	1.4	110	50.0	130	59.0	220	100.0	90	41.0	100	46.0	130	59.0			
			30	2.1	130	59.0	150	68.0	250	113.0	170	77.0	230	104.0	370	168.0			
			50	3.5	180	82.0	200	91.0	300	136.0	200	91.0	280	127.0	450	204.0			
			75	5.2	250	113.0	300	136.0	400	181.0	280	127.0	350	159.0	550	249.0			
			100	6.9	330	150.0	400	181.0	480	218.0	450	204.0	600	272.0	700	318.0			
			150	10.3	430	195.0	550	249.0	600	272.0	750	340.0	900	408.0	1100	499.0			
			200	13.8	600	272.0	700	318.0	850	386.0	800	363.0	950	431.0	1100	499.0			
			250	17.2	750	340.0	850	386.0	950	431.0	900	408.0	1000	454.0	1100	499.0			
	300	20.7	900	408.0	1000	454.0	1100	499.0	950	431.0	1100	499.0	1200	544.0					
	15	1.0	30	2.1	130	59.0	150	68.0	250	113.0	140	64.0	200	91.0	280	127.0			
			40	2.8	180	82.0	230	104.0	400	181.0	190	87.0	280	127.0	400	181.0			
			50	3.5	230	104.0	300	136.0	480	218.0	240	109.0	350	159.0	600	272.0			
			75	5.2	300	136.0	400	181.0	650	295.0	350	159.0	540	245.0	1100	499.0			
			100	6.9	380	172.0	480	218.0	800	363.0	500	227.0	750	340.0	1300	590.0			
			150	10.3	500	227.0	610	277.0	1000	454.0	750	340.0	1000	454.0	1500	680.0			
			200	13.8	750	340.0	950	431.0	1200	544.0	1000	454.0	1200	544.0	1600	726.0			
			250	17.2	900	408.0	1100	499.0	1400	635.0	1200	544.0	1400	635.0	1700	771.0			
			300	20.7	1100	499.0	1300	590.0	1500	680.0	1300	590.0	1500	680.0	1800	816.0			
	30	2.1	40	2.8	170	77.0	300	136.0	500	227.0	230	104.0	310	141.0	550	249.0			
			50	3.5	230	104.0	450	204.0	700	318.0	400	181.0	500	227.0	750	340.0			
			75	5.2	300	136.0	600	272.0	900	408.0	750	340.0	1000	454.0	1300	590.0			
			100	6.9	400	181.0	750	340.0	1200	544.0	1200	544.0	1500	680.0	1800	816.0			
			150	10.3	600	272.0	1100	499.0	1800	816.0	2200	998.0	2500	1134.0	2700	1225.0			
			200	13.8	1000	454.0	1600	726.0	1900	862.0	2400	1089.0	2800	1270.0	2900	1315.0			
			250	17.2	1300	590.0	1800	816.0	2100	953.0	2600	1179.0	2900	1315.0	3000	1361.0			
			300	20.7	1500	680.0	1900	862.0	2200	998.0	2700	1225.0	3000	1361.0	3100	1406.0			
			50	3.4	60	4.1	300	136.0	550	249.0	1000	454.0	330	150.0	600	272.0	1100	499.0	
	75	5.2			450	204.0	700	318.0	1600	726.0	600	272.0	1000	454.0	1800	816.0			
	100	6.9			500	227.0	950	431.0	2300	1043.0	1000	454.0	2000	907.0	2800	1270.0			
	150	10.3			640	290.0	1400	635.0	3100	1406.0	1500	680.0	3400	1542.0	3800	1724.0			
	200	13.8			1100	499.0	1800	816.0	3200	1452.0	2200	998.0	3800	1724.0	4200	1905.0			
	250	17.2			1600	726.0	230	1043.0	3300	1497.0	2800	1270.0	4000	1814.0	4300	1950.0			
	300	20.7			2000	907.0	2600	1179.0	3400	1542.0	3300	1497.0	4200	1905.0	4500	2041.0			
	75	5.2			100	6.9	700	318.0	1100	499.0	2100	952.0	750	340.0	1400	635.0	2500	1134.0	
					125	8.6	850	386.0	1500	680.0	2800	1270.0	1000	454.0	2300	1043.0	3300	1497.0	
150			10.3	1000	454.0	2000	907.0	3600	1633.0	1300	590.0	3500	1588.0	3800	1724.0				
200			13.8	1200	544.0	2500	1134.0	4100	1860.0	2500	1134.0	4500	2041.0	4800	2177.0				
250			17.2	1700	771.0	2900	1315.0	4300	1950.0	3500	1588.0	5500	2495.0	5500	2495.0				
300			20.7	2200	998.0	3300	1497.0	4400	1996.0	4500	2041.0	6000	2722.0	6000	2722.0				
60 to 120 PSIG (4.1 to 8.3 BAR)			100	6.9	125	8.6	550	249.0	1500	680.0	2500	1134.0	600	272.0	1500	680.0	2700	1225.0	
					150	10.3	1100	499.0	1900	862.0	3200	1452.0	1300	590.0	2300	1043.0	3600	1633.0	
					175	13.8	1300	590.0	2400	1089.0	3800	1724.0	1700	771.0	2600	1179.0	4500	2041.0	
	225	15.5			1400	635.0	3100	1406.0	4800	2177.0	1400	635.0	3100	1406.0	4800	2177.0			
	250	17.2			1700	771.0	3500	1588.0	5500	2495.0	2300	1043.0	3500	1588.0	6500	2948.0			
	300	20.7			2000	907.0	4400	1996.0	6000	2722.0	2800	1270.0	4000	1814.0	7500	3402.0			
	100 to 140 PSIG (6.9 to 9.7 BAR)	125			8.6	150	10.3	1100	499.0	2000	907.0	3200	1452.0	1100	499.0	2000	907.0	3300	1497.0
						175	13.8	1300	590.0	2400	1089.0	3700	1678.0	1600	726.0	2500	1134.0	3800	1724.0
						200	13.8	1400	635.0	2700	1225.0	4500	2041.0	2000	907.0	3500	1588.0	4500	2041.0
225			15.5	1500		680.0	3000	1361.0	5000	2268.0	2300	1043.0	5000	2268.0	5500	2495.0			
250			17.2	1800		816.0	3500	1588.0	5500	2495.0	2800	1270.0	6000	2722.0	6500	2948.0			
300			20.7	2100		953.0	4300	1950.0	6500	2948.0	4300	1950.0	7500	3402.0	7500	3402.0			
120 to 150 PSIG (8.3 to 10.3 BAR)			150	10.3		175	13.8	950	431.0	1600	726.0	2700	1225.0	1000	454.0	1700	771.0	2800	1270.0
						200	13.8	1200	544.0	2200	998.0	4000	1814.0	1200	544.0	2300	1043.0	4000	1814.0
						225	15.5	1500	680.0	3100	1406.0	5000	2268.0	1500	680.0	3100	1406.0	5000	2268.0
	250	17.2			1800	816.0	3500	1588.0	6000	2722.0	2500	1134.0	4800	2177.0	6000	2722.0			
	300	20.7			2300	1043.0	4500	2041.0	7500	3402.0	4300	1950.0	7000	3175.0	7500	3402.0			

# P95H Water Capacities with an Elastomer or Stainless Steel Diaphragm

Outlet Pressure Range	Outlet Pressure Setting		Inlet Pressure		1-1/2" Body Size (DN40)						2" Body Size (DN50)					
					Offset						Offset					
	PSIG	BAR	PSIG	BAR	10%		20%		40%		10%		20%		40%	
					GPM	l/min	GPM	l/min	GPM	l/min	GPM	l/min	GPM	l/min	GPM	l/min
5 to 80 PSIG (0.35 to 5.5 BAR)	5	0.35	10	0.7	5	18.0	6	20.0	8	28.0	5	18.0	6	20.0	8	28.0
			20	1.4	6	24.0	7	27.0	9	34.0	6	24.0	7	27.0	10	38.0
			30	2.1	8	28.0	9	34.0	10	38.0	8	28.0	9	34.0	12	45.0
			50	3.5	9	34.0	10	37.0	12	45.0	10	37.0	12	45.0	15	57.0
			75	5.2	12	45.0	13	49.0	15	57.0	12	45.0	14	53.0	16	61.0
			100	6.9	14	53.0	15	57.0	17	64.0	14	53.0	15	57.0	18	68.0
			150	10.3	16	61.0	18	68.0	20	76.0	17	64.0	20	76.0	22	83.0
			200	13.8	18	68.0	20	76.0	23	87.0	18	68.0	21	79.0	23	87.0
			250	17.2	19	72.0	22	83.0	25	95.0	25	95.0	27	102.0	30	114.0
	300	20.7	20	76.0	24	91.0	28	106.0	33	125.0	40	151.0	45	170.0		
	15	1.0	30	2.1	8	28.0	9	34.0	11	42.0	7	27.0	10	38.0	14	53.0
			40	2.8	10	38.0	11	42.0	14	53.0	10	38.0	13	49.0	17	64.0
			50	3.5	12	45.0	13	49.0	18	68.0	11	42.0	15	57.0	20	76.0
			75	5.2	14	53.0	18	68.0	25	95.0	15	57.0	19	72.0	26	98.0
			100	6.9	17	64.0	21	80.0	32	121.0	18	68.0	22	83.0	32	121.0
			150	10.3	21	80.0	27	102.0	43	163.0	21	80.0	28	106.0	40	151.0
			200	13.8	23	87.0	32	121.0	52	197.0	24	91.0	31	117.0	43	163.0
			250	17.2	24	91.0	34	129.0	54	204.0	27	102.0	40	151.0	50	189.0
			300	20.7	25	95.0	35	132.0	55	208.0	32	121.0	50	189.0	65	246.0
	30	2.1	40	2.8	13	49.0	18	68.0	27	102.0	13	49.0	18	68.0	27	102.0
			50	3.5	15	57.0	21	80.0	30	114.0	14	53.0	20	76.0	30	114.0
			75	5.2	18	68.0	26	98.0	40	151.0	18	68.0	25	95.0	39	148.0
			100	6.9	21	80.0	30	114.0	49	185.0	22	83.0	30	114.0	48	182.0
			150	10.3	24	91.0	36	136.0	64	242.0	26	98.0	36	136.0	63	238.0
			200	13.8	27	102.0	41	155.0	80	303.0	30	114.0	41	155.0	77	291.0
			250	17.2	30	114.0	47	178.0	110	416.0	31	117.0	45	170.0	90	341.0
			300	20.7	33	125.0	55	208.0	130	492.0	32	121.0	52	197.0	110	416.0
			50	3.4	60	4.1	17	64.0	29	110.0	51	193.0	16	61.0	29	110.0
	75	5.2			20	76.0	33	125.0	58	220.0	19	72.0	32	121.0	56	212.0
	100	6.9			25	95.0	40	151.0	68	257.0	24	91.0	38	144.0	65	246.0
	150	10.3			34	129.0	50	189.0	87	329.0	32	121.0	49	185.0	84	318.0
	200	13.8			42	159.0	61	231.0	110	416.0	42	159.0	62	235.0	110	416.0
	250	17.2			50	189.0	71	269.0	130	492.0	50	189.0	73	276.0	140	530.0
	300	20.7	56	212.0	82	310.0	160	606.0	55	208.0	83	314.0	160	606.0		
	75	5.2	100	6.9	19	72.0	30	114.0	60	227.0	20	76.0	30	114.0	60	227.0
			125	8.6	31	117.0	56	212.0	85	322.0	27	102.0	49	185.0	85	322.0
150			10.3	38	144.0	65	246.0	110	416.0	34	129.0	60	227.0	110	416.0	
200			13.8	52	197.0	74	280.0	120	454.0	45	170.0	71	269.0	120	454.0	
250			17.2	57	216.0	85	322.0	140	530.0	56	212.0	85	322.0	140	530.0	
300			20.7	65	246.0	95	360.0	160	606.0	68	257.0	100	378.0	160	606.0	
60 to 120 PSIG (4.1 to 8.3 BAR)	100	6.9	125	8.6	23	87.0	30	114.0	75	284.0	24	91.0	32	121.0	76	288.0
			150	10.3	41	155.0	44	167.0	87	329.0	33	125.0	45	170.0	89	337.0
			175	13.8	40	151.0	55	208.0	100	378.0	41	155.0	57	216.0	110	416.0
			225	15.5	52	197.0	83	314.0	130	492.0	54	204.0	84	318.0	130	492.0
			250	17.2	62	235.0	96	363.0	140	530.0	65	246.0	100	378.0	140	530.0
			300	20.7	70	265.0	100	378.0	180	681.0	100	378.0	130	492.0	160	606.0
100 to 140 PSIG (6.9 to 9.7 BAR)	125	8.6	150	10.3	29	106.0	51	193.0	80	303.0	29	110.0	52	197.0	83	314.0
			175	13.8	29	110.0	60	227.0	90	341.0	31	117.0	61	231.0	95	360.0
			200	13.8	30	114.0	64	242.0	110	416.0	33	125.0	71	269.0	110	416.0
			225	15.5	36	136.0	70	265.0	110	416.0	36	136.0	82	310.0	120	454.0
			250	17.2	38	144.0	76	288.0	120	454.0	45	170.0	95	360.0	130	492.0
			300	20.7	39	148.0	82	310.0	140	530.0	69	261.0	120	454.0	150	568.0
120 to 150 PSIG (8.3 to 10.3 BAR)	150	10.3	175	13.8	29	110.0	52	197.0	90	341.0	33	125.0	54	204.0	92	348.0
			200	13.8	32	121.0	55	208.0	100	378.0	34	129.0	58	220.0	100	378.0
			225	15.5	35	132.0	63	238.0	110	416.0	37	140.0	64	242.0	110	416.0
			250	17.2	40	151.0	70	265.0	120	454.0	43	163.0	73	276.0	130	492.0
			300	20.7	55	208.0	94	356.0	140	530.0	55	208.0	95	360.0	150	568.0

## P95H Parts for 1-1/2" & 2" Body

Item		Description	Qty.	Part Number
1	Body/Pi-tot Tube Assy.	Cast Iron, 1-1/2"	1	805-388-000
		Steel, 1-1/2"		805-388-002
		Cast Iron, 2"		805-388-001
		Steel, 2"		805-388-003
2	Bonnet	Cast Iron, Tapped	1	604-269-000
		Steel, Tapped		604-270-000
3	Seat	416 SS (Metal)	1	650-192-000
		Brass / Nitrile		822-058-001
		316 SS (Metal)		650-192-001
		316 SS / PTFE Seat		822-058-002
		316 SS / Neoprene Seat		822-058-000
4	Valve Plug Guide	Brass	1	639-143-002
		416 SS (Metal)		639-143-000
		316 SS (Metal)		639-143-001
5	Valve Spring	316 SS	1	655-769-000
		Inconel		655-769-001
6	Valve Base	416 SS	1	650-194-000
		316 SS		650-194-001
7	Stem	416 SS	1	651-105-000
		316 SS		651-105-001
8	Stem Bushing	416 SS	1	608-086-000
		316 SS		608-086-001
9	Packing Follower	416 SS	1	643-223-000
		316 SS		643-223-001
10		PTFE O-ring	1	649-338-000
11	Pusher Post	416 SS Elastomer	1	613-041-000
		416 SS Metal to Metal		613-042-000
		316 SS Elastomer		613-041-001
		316 SS Metal to Metal		613-042-001
12		Pusher Post Gasket (Metal Dia's Only)	2	624-099-000
13	Range Springs	5 - 80 PSIG, Light Blue	1	655-768-001
		60 - 120 PSIG, Light Gray		655-768-002
		120 - 150 PSIG, Black		655-768-003
		100 - 140 PSIG, Yellow		655-768-004
14	Orifice	416SS Metal to Metal	1	688-066-000
		316SS Metal to Metal		688-066-001
		416SS Composite		688-068-000
		316SS Composite		688-068-001
		Brass Composite		688-068-002
15	Dia-phragm	Diaphragm - 302SS	2	618-108-000
		Diaphragm - Neoprene		618-109-000
16		Diaphragm Gasket (Metal Dia's Only)	1	624-100-000
17		Stem Guide Spring	1	655-770-000
18		Lower Spring Seat	1	626-117-000
19		Upper Spring Seat	1	626-116-000
20	Piston	Steel	2	637-337-000
		316 Stainless Steel		637-337-001
21		Adjusting Screw, Steel,	1	648-569-000
22		Stem Lock Nut	1	634-212-000
23		Hex Cap Screw	8	648-467-009
24		Vent Screen	1	836-004-000
25		Hex Nut	1	634-213-000
26		Lock Washer	1	662-000-018
27		Name Plate (not shown)	1	632-524-000
28		Name Plate Drive Screws (not shown)	2	648-464-000



### P95H Maximum Body & Bonnet Temp Range

Cast Iron	-40° to +406°F	-40° to +208°C
Steel	-20° to +450°F	-29° to +232°C

### P95H Maximum Diaphragm & Seat Temp Range

Neoprene	-40° to +180°F	-40° to +82°C
Stainless	-40° to +650°F	-40° to +343°C