

# P52 Stainless Steel Regulator and Filter/Regulator

## Features

- Low Droop
- Tapped Vent
- Excellent Stability
- Port Sizes from 1/4" up to 1"

## Applications

- Sour Gas
- Corrosive Environments
- Off Shore

The P52SS regulator is designed for service with a wide variety of corrosive gases and severe environments. It is the ideal choice for sour gas applications and where a corrosive environment is present.

The standard version of this regulator is relieving with no constant bleed. You must specify if a non-relieving regulator is required.

Key components to the filter / regulator include a built in dripwell, 25 micron stainless filter. Both the regulator and filter / regulator come standard with Viton elastomers and a 'T' handle adjustment.

## P52SS Part Matrix

P052SS	↑	↑	↑	↑	Style
	<b>RX</b>				Regulator
	<b>FR</b>				Filter Regulator with Manual Drain
	<b>AR</b>				Filter Reg with Auto Drain
					Body Size
	<b>02</b>				1/4 NPT
	<b>03</b>				3/8 NPT
	<b>04</b>				1/2 NPT
	<b>06</b>				3/4 NPT
	<b>08</b>				1 NPT
					Output Ranges
	<b>030</b>				3 - 30 PSIG
	<b>060</b>				6 - 60 PSIG
	<b>125</b>				12 - 125 PSIG
	<b>150</b>				15 - 150 PSIG
					Options
	<b>00</b>				Standard
	<b>0B</b>				Non-relieving
	<b>0F</b>				5 Micron Filter
	<b>BF</b>				Non-relieving & 5 Micron Filter
	<b>OH</b>				Hex Head Adjustment
	<b>BH</b>				Non-relieving Hex Head Adjustment
	<b>FH</b>				5 Micron Filter and Hex Head
	<b>CC</b>				Non-relieving Hex Head and 5 Micron Filter

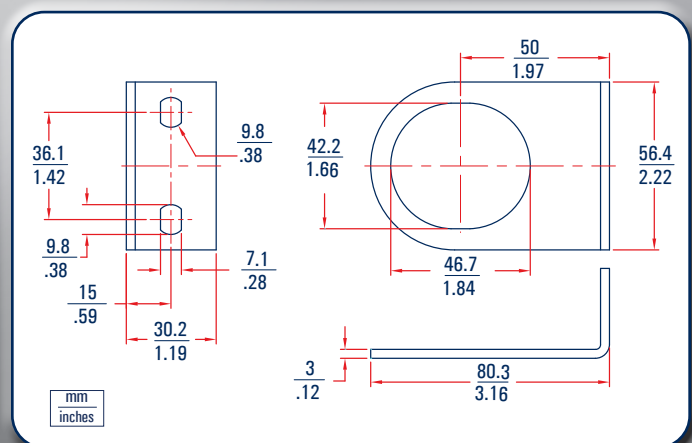


## Specifications

Maximum Inlet Pressure	425 PSIG
Outlet Ranges	3 - 30 PSIG
	6 - 60 PSIG
	12 - 125 PSIG
	15 - 150 PSIG
Repeatability	± 0.25 PSIG
Flow Rates at 100 PSIG Inlet 20 PSIG Outlet	1/4" - 38 SCFM
	3/8" - 42 SCFM
	1/2" - 95 SCFM
	3/4" - 105 SCFM
	1" - 105 SCFM
Temperature Range	-4 to 176°F
Exhaust Capacity	0.1 SCFM
Max Air Consumption	0.5 SCFH
Filter	25 Micron
Supply Pressure Sensitivity at 25 PSIG	± 1.0 PSIG Change in Output
Material	316 SS Housing Body and Filter, Viton Elastomers

## Mounting Bracket

607-309-000



**P52 Stainless Steel Dimensions**

