

P39 Standard Gas Regulators



- Spare valve disks provided. Each unit comes with a 4 seat valve disk block. This block can be easily rotated 90° to provide a fresh valve disk sealing surface.
- Easily changed from tamper-resistant to T-handle adjustment or vice versa.
- Both adjustment assemblies are supplied with every unit.
- Brass casing material

The BelGAS P39 regulator selection is the largest of its type within the industry. We offer this regulator in three different materials, one of which will ideally suit your application AND your budget. ALL of the P39's are offered with six different spring ranges. Our broad selection of outlet pressure spring ranges allows more precise regulation of downstream pressure, hence, better process control. Piping designs can be simplified by using any one (or all) of the 3 outlet ports that come standard on the regulator. The BelGAS P39 is the ONLY regulator of this type, which has 3 outlet ports. To enhance the versatility of this regulator further, we provide you with a choice of seat materials that allows the designer to custom fit the seat material with the application.

Applications

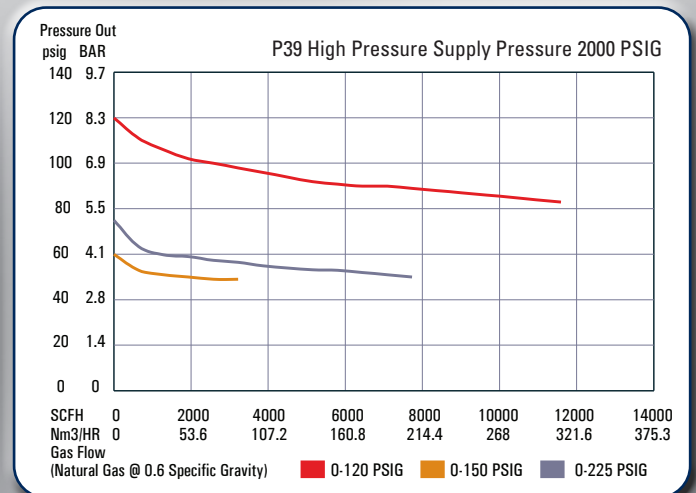
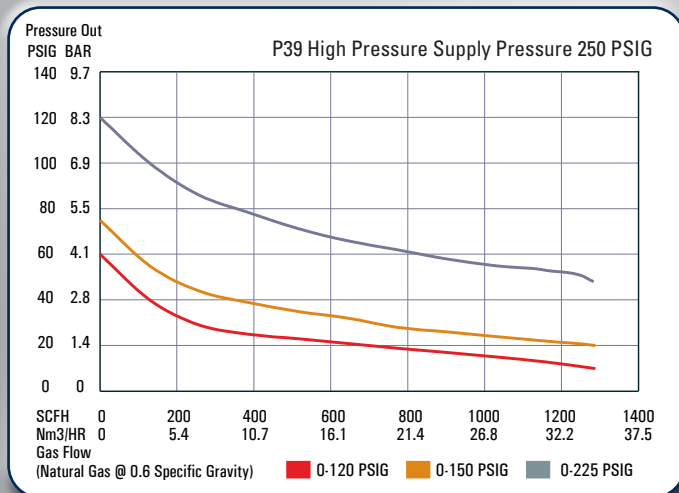
- First cut of high-pressure natural gas to control valve supply
- Natural gas instrumentation columns
- First cuts to any downstream, low flow application, such as catalytic heaters, valve actuators, pressure controllers and chemical injection pumps



Specifications

Inlet	1/4 NPT	
Outlet	1/4 NPT (3 Ports)	
Vent	4 holes (5/32" each) (STD)	
	1/4 NPT (Tapped Vent Option)	
Max Inlet	6000 PSIG, 414 BAR	
Orifice Size	5/64"	
	Cv=0.10	
Outlet Ranges		
	0 – 30 PSIG	2.1 BAR
	0 – 60 PSIG	4.1 BAR
	0 – 120 PSIG	8.3 BAR
	0 – 150 PSIG	10.3 BAR
	0 – 225 PSIG	15.5 BAR
Temp. Range	-40°F to 225°F	-46°C to 106°C
Weight Approximate		
Standard	3-1/4 lbs	1.46 kg

Flow Charts



P39 Standard Part Matrix

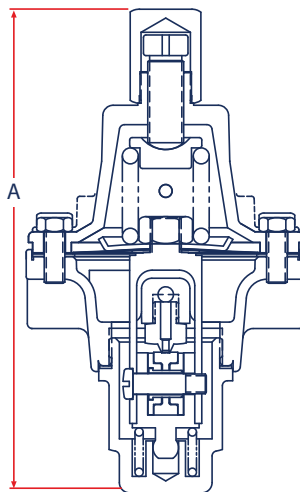
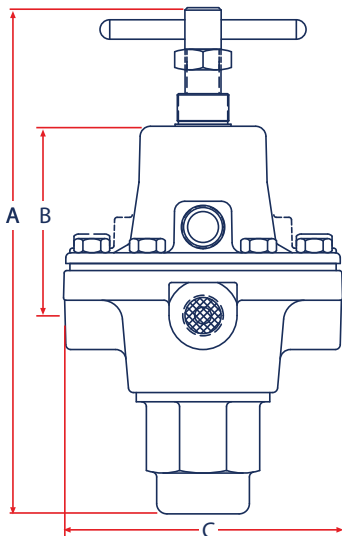
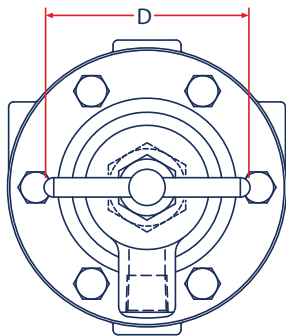
P03902		0	X	0			0	
	↑	↑	↑	↑	↑	↑	↑	Spring Range
	030							0-30 PSIG 0-2.1 BAR
	060							0-60 PSIG 0-4.1 BAR
	120							0-120 PSIG 0-8.3 BAR
	150							0-150 PSIG 0-10.3 BAR
	225							0-225 PSIG 0-15.5 BAR
								Version
		0						Standard
								Adjustment Method
			X					T-Bar and Adjustment Screw (Allen Head) with Tamper Resistant Cover
								Vent
				0				Standard Untapped Bonnet Vent
								Seat Material
					1			Nylon
					3			Teflon
								Port Configuration
						0		Standard
								Casing Material
							0	Brass

Materials of Construction

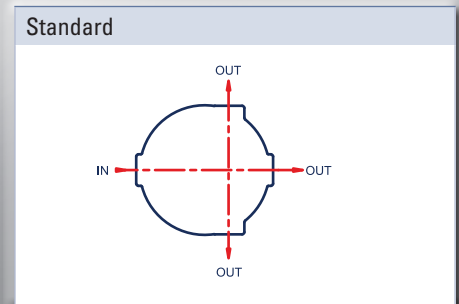
Brass Unit	
Body, Bonnet, Bottom Plug	Brass
Tamper Resistant Cover	Brass
Diaphragm	302 Stainless
Seals	TFE, Nitrile
Valve Spring	17-7 ^{PH} Stainless Steel
Range Spring	Spring Steel, Chrome Silicon
Seat Material	Nylon or TFE

P39 Standard Dimensions

Dimensions Table		A	B	C	D
P39 w/T-Handle 0-30, 0-60, 0-120, 0-150, 0-225 PSIG range	mm	156	58	85	64
	inches	6.14	2.3	3.33	2.50
P39 w/Allen Head 0-30, 0-60, 0-120, 0-150, 0-225 PSIG range	mm	150	58	85	19
	inches	5.90	2.30	3.33	0.75



Ports

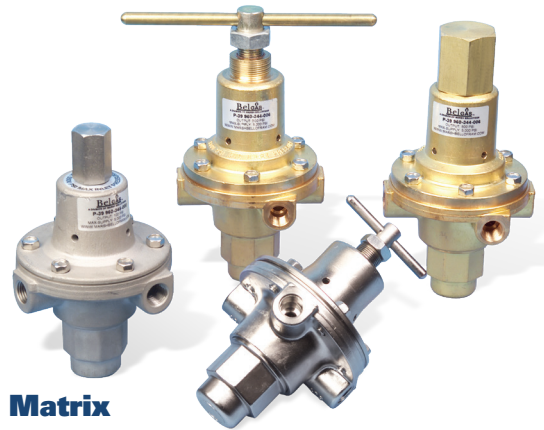


P39 Special Build Gas Regulators



Specials include these models:

- 500 PSI Outlet
- Dual Inlet Ports
- Nickel Plated and Stainless Steel
- Tapped Vent Models (Standard on all Stainless Steel units)
- Stainless Steel Version complies with NACE MR0175



Applications

- First cut of high-pressure natural gas to control valve supply
- Natural gas instrumentation columns
- First cuts to any downstream, low flow application, such as catalytic heaters, valve actuators, pressure controllers and chemical injection pumps

P39 Special Build Part Matrix

P03902									
	↑	↑	↑	↑	↑	↑	↑	↑	Spring Range
	030								0-30 PSIG 0-2.1 BAR
	060								0-60 PSIG 0-4.1 BAR
	120								0-120 PSIG 0-8.3 BAR
	150								0-150 PSIG 0-10.3 BAR
	225								0-225 PSIG 0-15.5 BAR
	500								0-500 PSIG 0-34.5 BAR
									Versions
	0								Standard
	3								PED (for EU)
	4								ENVIRO-Cap* (Water Jacket)
									*Not available in Stainless Steel
									Adjustment Method
	0								T-Bar
	1								Adjustment Screw (Allen Head) with Tamper Resistant Cover
									Vent Options
	0								Standard Bonnet
	1								Tapped Vent Bonnet*
									*Not available in Brass or Nickel 500 PSIG units. Tapped vent is standard on all Stainless Steel units.
									Seat Material
	1								Nylon
	3								Teflon (Brass units only)
	4								PTFE*
									*Nickel and Stainless Steel only
									Port Configuration
	0								Standard
	1								Dual Inlet**
									**Not available in Stainless Steel
									Casing Material
	0								Brass
	1								Electroless Nickel
	2								Stainless Steel

Materials of Construction

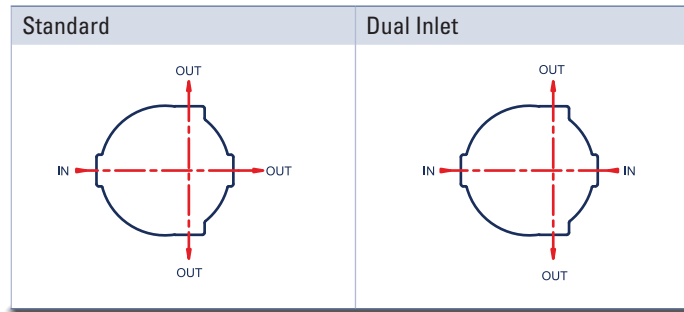
Brass Unit	
Body, Bonnet, Bottom Plug	Brass
Tamper Resistant Cover	Brass
Diaphragm	302 Stainless
Seals	TFE, Nitrile
Valve Spring	17-7 ^{PH} Stainless Steel
Range Spring	Spring Steel, Chrome Silicon
Seat Material	Nylon or TFE
Nickel Plated Unit	
Body, Bonnet, Bottom Plug	Nickel Plated Brass
Tamper Resistant Cover	Nickel Plated Brass
Diaphragm	302 Stainless Steel
Seals	TFE, Nitrile
Valve Spring	17-7 ^{PH} Stainless Steel (Nickel Plated)
Range Spring	Spring Steel or Chrome Silicon
Seat Material	Nylon or PTFE (316 SS Block)
Stainless Steel Unit	
Body, Bonnet, Bottom Plug	316 Stainless Steel
Tamper Resistant Cover	316 Stainless Steel
Diaphragm	Monel 400
Seals	TFE, Neoprene
Valve Spring	MP35N (UNS30035)
Range Spring	Spring Steel
Seat Material	Nylon or PTFE (316 SS block)
Only the P39SS Conforms to NACE MR0175	



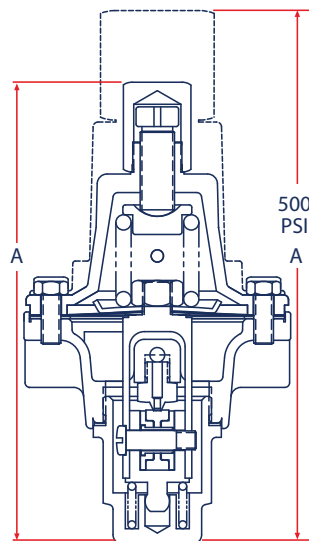
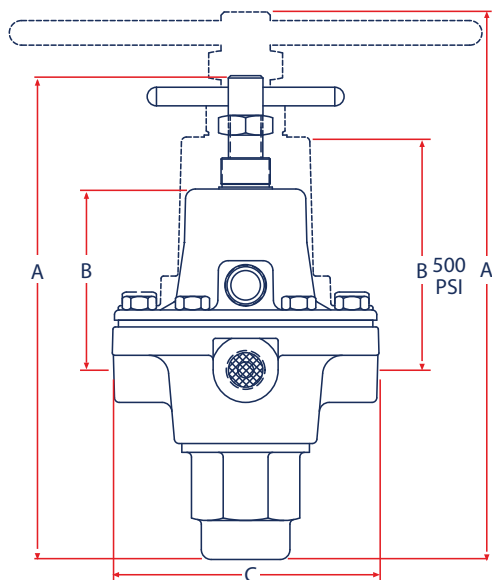
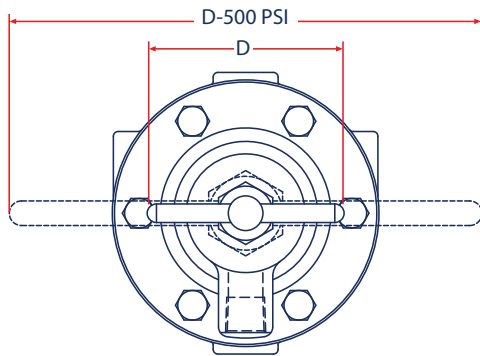
Specifications

Inlet	1/4 NPT	
Outlet	1/4 NPT (3 Ports)	
Vent	4 holes (5/32" each) (STD)	
	1/4 NPT (Tapped Vent Option)	
Max Inlet	6000 PSIG, 414 BAR	
Orifice Size	5/64"	
Outlet Ranges		
	0 – 30 PSIG	2.1 BAR
	0 – 60 PSIG	4.1 BAR
	0 – 120 PSIG	8.3 BAR
	0 – 150 PSIG	10.3 BAR
	0 – 225 PSIG	15.5 BAR
	0 – 500 PSIG	34.5 BAR
Temp. Range	-40°F to 225°F	-46°C to 106°C
Weight Approximate		
Standard	3-1/4 lbs	1.46 kg
500 PSIG	3-3/4 lbs	1.69 kg
	Cv=0.10	

Ports



P39 Special Build Gas Dimensions



Dimensions Table		A	B	C	D
P39 w/T-Handle 0-30, 0-60, 0-120, 0-150, 0-225 PSIG range	mm	156	58	85	64
	inches	6.14	2.3	3.33	2.50
P39 w/Allen Head 0-30, 0-60, 0-120, 0-150, 0-225 PSIG range	mm	150	58	85	19
	inches	5.90	2.30	3.33	0.75
P39 w/T-Handle 0-500 PSIG range	mm	177	75	85	152
	inches	6.98	2.96	3.33	6.0
P39 w/Allen Head 0-500 PSIG range	mm	172	75	85	32
	inches	6.78	2.96	3.33	1.25