

P1367 Manifold System

Hi/Lo Pressure Instrument Supply Manifold System with Safety Relief Valve Protection.

P1367 pneumatic supply pressure manifold offers the customer a complete package for working pressures up to 4000 psig (276 bar.)

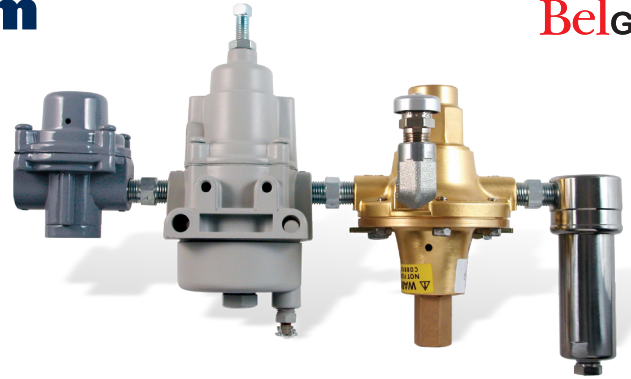
Features

- Hi-Lo Gas Pressure Regulation
- Inlet and Outlet Gas Filtration
- Overpressure Safety Protection
- Two connection hook-up
- Installation Flexibility
- NACE Capability

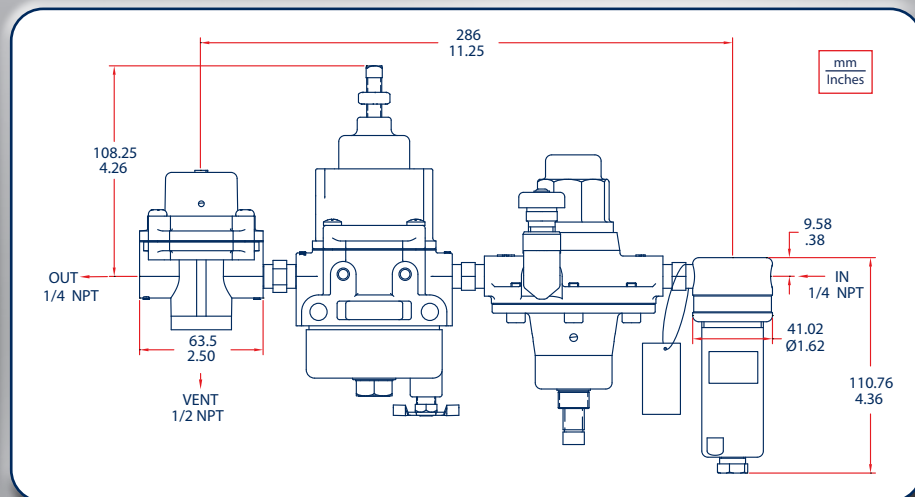
P136702					00	
	▲	▲	▲	▲	▲	Output Pressure Setting
	020					20 PSIG Setpoint
	035					35 PSIG Setpoint
						Mounting Bracket
		C				Casing Mounting Bracket
		Y				Yoke Mounting Bracket
						Filter Drain
			P			Plug
			V			Manual Drain Valve
						Construction
			S			Standard
			N			NACE
					00	

Specifications

Port Sizes	Inlet and Outlet	1/4 NPT
	P800 Vent	1/2 NPT with Removable Screen
Max Inlet Pressure	4000 PSIG – Stainless Steel	275 BAR
	2150 PSIG – Aluminum	148 BAR
Temperature Range	-20° to + 160°F	-29° to +66°C



Manifold includes the following items:		
1	P350 Stainless Steel or Aluminum Body, filter, SST drain. Available with a Plugged Drain Port or Manual Drain Valve	
2	P39 First-stage high pressure regulator with mounting bracket.	
3	High pressure relief valve, attached to P39 regulator with pipe elbow. Preset to 150 PSIG (10.3 BAR)	
4	P50 Second-stage low pressure filter regulator, nipple-mounted in outlet of the P39 regulator.	
5	P800 Relief valve, nipple mounted in the outlet of the P50 regulator. Preset to 41 PSIG (2.83 BAR)	



Replacement Parts	Part Number
Yoke Mounting Bracket	607-304-000
Casing Mounting Bracket	607-305-000