

Marshalltown Value Series Gauge

- ASME Grade B Accuracy
- Extra Savings with Quantity Pricing
- 4 Standard Mounting Options: LM, CB, Right & Left (1.5" Only)

Marshalltown Value Series are the most economical, general purpose gauges in the Marsh gauge line. Suited for use with water, oil, air, gas, or other non-corrosive media.

Typical applications include FRLs, compressors, pumps, boilers, regulators, dryers as well as commercial and industrial equipment.



Specifications

Accuracy	ASME Grade B = $\pm 3/2/3\%$ ($\pm 2\%$ of range across middle half of scale)							
Case Material	Drawn steel, pretreated for rust resistance and black enamel finish							
Tube & Socket	Copper alloy tube soft soldered to brass socket							
Movement	Brass sector and pinion							
Dial Standard	Dual scale PSIG and kPa							
Dial Color	Black markings on white							
Pointer	Aluminum, Black painted							
Window & Ring	Flat plastic window with steel friction ring							
Case Size	1-1/2"				2"			
Mounting/Case Style	LM	CB	Right	Left	LM	CB	LM	CB
Connection	1/8 NPT	1/8 NPT	1/8 NPT	1/8 NPT	1/4 NPT	1/4 NPT	1/8 NPT	1/8 NPT
0 to 15 PSI		GG1515C8						
0 to 30 PSI	GG1530L8	GG1530C8	GG1530G8	GG1530F8	GG2030L4	GG2030C4	GG2030L8	GG2030C8
0 to 60 PSI	GG1560L8	GG1560C8	GG1560G8	GG1560F8	GG2060L4	GG2060C4		
0 to 100 PSI	GG15100L8	GG15100C8			GG20100L4	GG20100C4	GG20100L8	GG20100C8
0 to 160 PSI	GG15160L8	GG15160C8			GG20160L4	GG20160C4	GG20160L8	GG20160C8
0 to 200 PSI		GG15200C8				GG20200C4		GG20200C8

X-Mas Tree Gauge

- Accuracy $\pm 1\%$
- Polished Stainless Steel Case
- Ranges to 10,000 PSIG
- Adjustable Micrometer Pointer

Marsh Instruments has been on top of X-mas Trees and well-heads much longer than any other name. Marsh offers the same high-performance gauge for replacement. Other gauge manufacturers can state Xmas Tree Gauge on their products but only Marsh Instruments can offer you all the special features, and dependability, that you expect! Features include a polished stainless steel case with stainless steel tube, tip, and socket, and an easy to adjust micrometer pointer.

Marsh Instruments X-mas Tree gauges are designed for the oil patch, well heads and offshore oil platforms.

Specifications



Accuracy	ASME Grade 1A – $\pm 1\%$ ($\pm 1\%$ of range across full scale)
Case Material	Polished Stainless Steel
Tube & Socket	Stainless Steel
Movement	Stainless Steel
Dial Standard	Single Scale PSIG
Dial Color	Black markings on white
Pointer	Aluminum, adjustable micrometer, black painted
Window & Ring	Acrylic window with bayonet ring
Case Size	4-1/2"
Mounting/Case Style	LM
Connection	1/2 NPT
0 to 1,000 PSI	W0574
0 to 1,500 PSI	W0578
0 to 2,000 PSI	W0582
0 to 3,000 PSI	W0586
0 to 5,000 PSI	W0590
0 to 10,000 PSI	W0594

63mm Severe Service Gauge

Marsh Instruments Liquid-Filled Gauges are designed to perform in rugged applications and harsh environmental conditions where pulsation and vibration are a problem. Liquid Filled Gauges offer a significant cushioning and dampening effect, reducing pointer flutter and internal gauge damage; also lubricating the internals, and reducing corrosion. All stainless steel Liquid Filled Gauges feature a ventable top fill plug for pressure relief and ease of venting after installation. The high pressure ranges offer a Helical Bourdon Tube for longer gauge life and increased durability. The hermetically sealed construction reduces the chance of leaks, and makes field filling an easy option.

Typical applications include refineries, chemical plants, offshore platforms, oil rigs, marine applications and OEM processes.



NOTE: Items are available on special order. However, minimums and lead times apply. Consult factory.



Specifications

Accuracy	ASME Grade B – ±3/2/3% (±2% of range across middle half of scale)					
Case Material	304 Stainless Steel					
Movement	Brass					
Dial Standard	Dual scale PSIG and kPa					
Dial Color	Black markings on white					
Pointer	Aluminum, Black painted					
Window	Polycarbonate					
Fill Medium	Glycerine					
Restrictor	Standard for all ranges					
Vent Plug	Removable tip for venting					
Case Size	63mm					
Internal-Tube & Socket	Copper Alloy			Stainless Steel		
Mounting/Case Style	LM	UC	CB	LM	UC	CB
Connection	1/4 NPT	1/4 NPT	1/4 NPT	1/4 NPT	1/4 NPT	1/4 NPT
0 to 30" Hg VAC	J7605P	J7205P	J6405P	J7805P	J7405P	J6605P
30" Hg VAC to 15 PSI						
30" Hg VAC to 30 PSI	J7612P					
30" Hg VAC to 60 PSI	J7614P					
30" Hg VAC to 100 PSI						
30" Hg VAC to 150 PSI	J7618P	J7218P	J6418P	J7818P	J7418P	J6618P
30" Hg VAC to 200 PSI	J7620P	J7220P	J6420P	J7820P	J7420P	J6620P
30" Hg VAC to 300 PSI	J7624P	J7224P	J6424P	J7824P	J7424P	J6624P
30" Hg VAC to 400 PSI	J7626P	J7226P	J6426P	J7826P	J7426P	J6626P
0 to 15 PSI	J7640P	J7240P	J6440P	J7840P	J7440P	J6640P
0 to 30 PSI	J7642P	J7242P	J6442P	J7842P	J7442P	J6642P
0 to 60 PSI	J7646P	J7246P	J6446P	J7846P	J7446P	J6646P
0 to 100 PSI	J7648P	J7248P	J6448P	J7848P	J7448P	J6648P
0 to 160 PSI	J7652P	J7252P	J6452P	J7852P	J7452P	J6652P
0 to 200 PSI	J7654P	J7254P	J6454P	J7854P	J7454P	J6654P
0 to 300 PSI	J7658P	J7258P	J6458P	J7858P	J7458P	J6658P
0 to 400 PSI	J7660P	J7260P	J6460P	J7860P	J7460P	J6660P
0 to 600 PSI	J7664P	J7264P	J6464P	J7864P	J7464P	J6664P
0 to 1,000 PSI	J7672P	J7272P	J6472P	J7872P	J7472P	J6672P
0 to 1,500 PSI	J7674P	J7274P	J6474P	J7874P	J7474P	J6674P
0 to 2,000 PSI	J7676P	J7276P	J6476P	J7876P	J7476P	J6676P
0 to 3,000 PSI	J7678P	J7278P	J6478P	J7878P	J7478P	J6678P
0 to 5,000 PSI	J7682P	J7282P	J6482P	J7882P	J7482P	J6682P
0 to 6,000 PSI	J7684P	J7284P	J6484P	J7884P	J7484P	J6684P

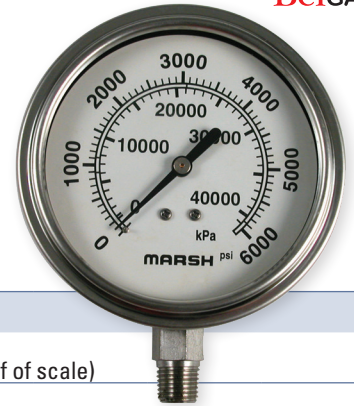
Option	Type	Suffix	Available On Models
Fill Medium	Dry (no fill)	Delete suffix P	All models
	Silicone (SL)	I	All models
Front Flange	Adapter ring (3 hole)	R1	Center Back & U-Clamp only (Factory Installed)
	Adapter ring (no holes)	R2	U-Clamp only (Factory Installed)
Bayonet Case & Ring w/Safety Glass		J	Center Back or Lower Mount (Consult Factory)
Catalog Dials	PSIG only	E	See Marsh Price List for minimum
	Bar only	L1	
	kg/cm ² only	L2	
	kPa only	L3	
	MPa only	L4	
	PSI & BAR	W1	
	PSI & kg/cm ²	W2	
PSI & MPa	W4		
Custom Dials	Logo or Custom Face	M	Consult factory for colors and minimums
Restrictor	Special Restrictor	H	All models - See Marsh Price List for minimum
	Restrictor Removed	H1	
Increased Accuracy	Grade A (2/1/2%)	B	All models - See Marsh Price List for minimum
Special Connections			Consult Factory

100mm Severe Service Gauge

- Brass or Stainless Steel Internal
- Hermetically Sealed – Field Fillable

Marsh Instruments Liquid Filled Gauges are designed to perform in rugged applications and harsh environmental conditions - especially where pulsation and vibration are a problem. Liquid Filled Gauges offer a significant cushioning and dampening effect, reducing pointer flutter and internal gauge damage; also lubricating the internals, and reducing corrosion. All stainless steel Liquid Filled Gauges feature a vent top fill plug for pressure relief and ease of venting after installation. The hermetically sealed construction reduces the chance of leaks, and makes field filling an easy option.

Typical applications include refineries, chemical plants, offshore platforms, oil rigs, marine applications and OEM processes.



Specifications

Accuracy	ASME Grade A – ±2/1/2% (±1% of range across middle half of scale)					
Case Material	304 Stainless Steel					
Movement	Brass sector and pinion					
Dial Standard	Dual scale PSI & kPa					
Dial Color	Black markings on white					
Pointer	Aluminum. black painted					
Window	Polycarbonate					
Fill Medium	Glycerine					
Restrictor	Standard for all ranges					
Vent Plug	Removable tip for venting					
Case Size	100mm					
Internal Tube & Socket	Copper Alloy			Stainless Steel		
Mounting/Case Style	LM	CB	UC	LM	CB	UC
Connection	1/4 NPT	1/4 NPT	1/4 NPT	1/4 NPT	1/4 NPT	1/4 NPT
0 to 30" Hg VAC	X32965P			X32967P		
30" Hg VAC to 30 PSI	X32501P					
30" Hg VAC to 60 PSI	X32502P					
30" Hg VAC to 100 PSI						
30" Hg VAC to 150 PSI	X32887P	X32901P	X32894P	X32929P	X32941P	X32935P
30" Hg VAC to 200 PSI	X32888P	X32902P	X32895P	X32930P	X32942P	X32936P
30" Hg VAC to 300 PSI	X32889P	X32903P	X32896P	X32931P	X32943P	X32937P
0 to 15 PSI	X32504P	X32546P	X32525P	X32630P	X32678P	X32654P
0 to 30 PSI	X32505P	X32547P	X32526P	X32631P	X32679P	X32655P
0 to 60 PSI	X32506P	X32548P	X32527P	X32632P	X32680P	X32656P
0 to 100 PSI	X32507P	X32549P	X32528P	X32633P	X32681P	X32657P
0 to 160 PSI	X32508P	X32550P	X32529P	X32634P	X32682P	X32658P
0 to 200 PSI	X32509P	X32551P	X32530P	X32635P	X32683P	X32659P
0 to 300 PSI	X32510P	X32552P	X32531P	X32636P	X32684P	X32660P
0 to 400 PSI	X32511P	X32553P	X32532P	X32637P	X32685P	X32661P
0 to 600 PSI	X32512P	X32554P	X32533P	X32638P	X32686P	X32662P
0 to 1,000 PSI	X32513P	X32555P	X32534P	X32639P	X32687P	X32663P
0 to 1,500 PSI	X32514P	X32556P	X32535P			
0 to 2,000 PSI	X32515P	X32557P	X32536P	X32641P	X32689P	X32665P
0 to 3,000 PSI	X32516P	X32558P	X32537P	X32642P	X32690P	X32666P
0 to 5,000 PSI	X32518P	X32560P	X32539P	X32644P	X32692P	X32668P
0 to 6,000 PSI	X32519P	X32561P	X32540P	X32645P	X32693P	X32669P
0 to 10,000 PSI				X32647P	X32695P	X32671P

NOTE: Items are available on special order. However, minimums and lead times apply. Consult factory.

Option	Type	Suffix	Available On Models
Fill Medium	Dry (no fill)	Delete suffix P	All models
	Silicone option (SL)	I	All models
Front Flange	Adapter ring (3 hole)	R	Center Back & U-Clamp only (factory Installed)
Catalog Dials	PSIG only	E	See Marsh Price List for minimum
	BAR only	L1	
	kg/cm ² only	L2	
	kPa only	L3	
	MPa	L4	
	PSI & BAR	W1	
	PSI & kg/cm ²	W2	
PSIG & MPa	W4		
Custom Dials	Logo or Custom face	M	Consult factory for colors and minimums
Restrictor	Special restrictor	H	All models - See Marsh Price List for minimum
	Restrictor removed	H1	
Increased Accuracy	Grade 1A ±1% full scale	B	All models - See Marsh Price List for minimum
Special Connections			Consult Factory

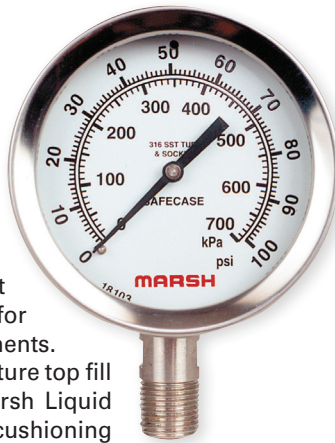
100mm Elite Stainless Steel Gauge

- All Stainless Steel
- Field Fillable
- Ranges to 10,000 PSIG
- Liquid Filled or Dry
- Solid Front Design
– Safecase

Marsh Instruments All Stainless Steel Gauges are built for extended life, and designed for harsh and corrosive environments.

These stainless steel gauges feature top fill plugs and are field fillable. Marsh Liquid Filled Gauges offer significant cushioning and dampening which reduces pointer flutter and internal gauge damage.

Typical applications include refineries, chemical plants, offshore platforms, oil rigs, marine applications, general industrial application and OEM processes.



63mm & 100mm Brass Gauge

- Forged Brass case
(one piece construction)
- Ranges to 10,000 PSIG
- Heavy Duty Performance

Marsh forged brass gauges are designed for top performance in rugged applications and harsh environments, where corrosive gas or media is not an issue. Applications include Oil Patch, Hydraulics, Natural Gas, OEM and General Industrial applications where superior quality is required. Liquid Filling protects against pulsation and vibration offering a cushioning and dampening effect. The hermetically sealed one piece design reduces the chance of leaks and allows field filling as an easy option.



Specifications

Accuracy	ASME Grade 1A – ±1.0% of range across full scale
Case Material	304 Stainless Steel
Case Style	Solid front & blow-out back (Safecase construction)
Tube & Socket	316 Stainless Steel
Movement	Stainless Steel
Scale Standard	Dual scale PSI and kPa
Dial Color	Black markings on white
Pointer	Aluminum, black painted
Window	Safety Glass
Fill Medium	See Options
Vent	Internal compensating diaphragm
Case Size	100mm (4")
Mounting / Case Style	LM
Connection	1/2 NPT
0 to 30" Hg VAC	W9605
0 to 30 PSI	W9642
0 to 60 PSI	W9646
0 to 100 PSI	W9648
0 to 200 PSI	W9654
0 to 300 PSI	W9658
0 to 600 PSI	W9664
0 to 1,000 PSI	W9672
0 to 1,500 PSI	W9674
0 to 2,000 PSI	W9676
0 to 3,000 PSI	W9678
0 to 5,000 PSI	W9682

Specifications

Size	63mm	100mm
Accuracy	±1.6% F.S.	±1% F.S.
Case Material	Forged Brass	Forged Brass
Internals	Copper Alloy	Copper Alloy
Mounting / Case Style	LM	LM
Connection	1/4 NPT	1/2 NPT
Scale Standard	PSI	PSI
0 to 30" Hg VAC	W9005PE	W9405PE
30" Hg VAC to 30 PSI	W9012PE	W9412PE
30" Hg VAC to 60 PSI	W9014PE	W9414PE
30" Hg VAC to 100 PSI	W9016PE	W9416PE
30" Hg VAC to 200 PSI	W9020PE	W9420PE
0 to 15 PSI	W9040PE	W9440PE
0 to 30 PSI	W9042PE	W9442PE
0 to 60 PSI	W9046PE	W9446PE
0 to 100 PSI	W9048PE	W9448PE
0 to 160 PSI	W9052PE	W9452PE
0 to 200 PSI	W9054PE	W9454PE
0 to 300 PSI	W9058PE	W9458PE
0 to 400 PSI	W9060PE	W9460PE
0 to 600 PSI	W9064PE	W9464PE
0 to 1,000 PSI	W9072PE	W9472PE
0 to 1,500 PSI	W9074PE	W9474PE
0 to 2,000 PSI	W9076PE	W9476PE
0 to 3,000 PSI	W9078PE	W9478PE
0 to 5,000 PSI	W9082PE	W9482PE
0 to 10,000 PSI	W9090PE	W9490PE

Option	Type	Suffix	Available On Models
--------	------	--------	---------------------

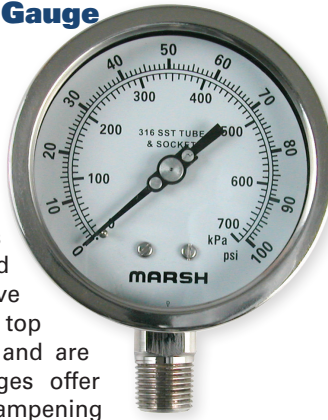
Option	Type	Suffix	Available On Models
Fill Medium	Dry (no fill)	Standard	All Ranges
	Glycerine (GL)	Add suffix P	
	Silicone (SL)	Add suffix PI	

Quality Series 100mm Gauge

- Liquid Filled or Dry
- Adjustable Micrometer Pointer
- Ranges to 10,000 PSI
- Safety Glass Window

Marsh Stainless Steel gauges are built for extended life and designed for harsh and corrosive environments. They feature a top fill plug polished bayonet ring and are field fillable. Liquid filled gauges offer significant cushioning and dampening plus extend the life of a gauge.

Applications include Oil Patch, Refineries, Oil Rigs, Panel builders, Offshore Platforms, Marine and General Industrial.



Specifications

Accuracy	ASME Grade 1A – ±1.0% of range across full scale	
Case Material	304 Stainless Steel	
Tube & Socket	316 Stainless Steel	
Movement	Stainless Steel	
Scale Standard	PSI / kPa	
Dial Color	Black markings on white	
Pointer	Aluminum, Adjustable Micrometer, black painted	
Window	Safety Glass	
Fill Medium	See options	
Vent	Rubber plug with snip-off feature	
Case Size	100mm (4")	NACE 100mm (4")
Mounting / Case Style	LM	LM
Connection	1/2 NPT	1/2 NPT
0 to 30" Hg Vacuum	H20905	
0 to 15 PSI	H20940	HN20940
0 to 30 PSI	H20942	HN20942
0 to 60 PSI	H20946	HN20946
0 to 100 PSI	H20948	HN20948
0 to 160 PSI	H20952	HN20952
0 to 200 PSI	H20954	HN20954
0 to 300 PSI	H20958	HN20958
0 to 400 PSI	H20960	HN20960
0 to 600 PSI	H20964	HN20964
0 to 1,000 PSI	H20972	HN20972
0 to 1,500 PSI	H20974	HN20974
0 to 2,000 PSI	H20976	HN20976
0 to 3,000 PSI	H20978	HN20978
0 to 5,000 PSI	H20982	HN20982

Option	Type	Suffix	Available On Models
--------	------	--------	---------------------

Quality Series 100mm Copper Alloy Internals

- Liquid Filled or Dry
- Removable polished bayonet ring
- Ranges to 10,000 PSI
- Safety Glass Window

Stainless steel case with copper alloy internals. Ideal for heavy duty service in industrial and commercial environments. Features robust design with removable polished bayonet ring and adjustable pointer. Field fillable.

Applications include Industrial Machinery, Oilfield Equipment and Controls, Wellheads, Pipeline and General Industrial.



Specifications

Accuracy	ASME Grade 1A – ±1.0% of range across full scale	
Case Material	304 Stainless Steel	
Tube & Socket	Copper Alloy	
Movement	Stainless Steel	
Scale Standard	Single scale PSI	
Dial Color	Black markings on white	
Pointer	Aluminum, Adjustable Micrometer, black painted	
Window	Safety Glass	
Fill Medium	See options	
Vent	Rubber plug with snip-off feature	
Case Size	100mm (4")	
Mounting / Case Style	LM	
Connection	1/2 NPT	
0 to 30" Hg Vacuum	H20505	
0 to 15 PSI	H20540	
0 to 30 PSI	H20542	
0 to 60 PSI	H20546	
0 to 100 PSI	H20548	
0 to 160 PSI	H20552	
0 to 200 PSI	H20554	
0 to 300 PSI	H20558	
0 to 400 PSI	H20560	
0 to 600 PSI	H20564	
0 to 1,000 PSI	H20572	
0 to 1,500 PSI	H20574	
0 to 2,000 PSI	H20576	
0 to 3,000 PSI	H20578	
0 to 5,000 PSI	H20582	

Option	Type	Suffix	Available On Models
--------	------	--------	---------------------

Marsh Instruments

STD Pocket Thermometer

- 1" Dial
- 304SS Hermetically Sealed Case
- 5" long stem
- Protective Case with SS Clip

Marsh Instruments STD pocket thermometers have a 1" dial, 304SS hermetically sealed case, 304SS 0.4mm diameter 5" long stem, and plastic lens. The accuracy is $\pm 1.5\%$ of scale range. Each unit comes with a protective case with SS clip, that allows it to be safely carried in your pocket and also can be used to hold the thermometer in the medium to be tested.

Typical applications include the food industries, HVAC/R, and any applications requiring fast and accurate temperature.



Specifications

Accuracy	$\pm 1.5\%$ of scale range
Scale	-40/160°F, 0/220°F, 50/550°F
Case	304 Stainless Steel
L020E	1" dial, 5" stem, -40/160°F
L041E	1" dial, 5" stem, 0/220°F
L080E	1" dial, 5" stem, 50/550°F

Gas Pressure Test Set

- Includes 2 1/2" dial size gauge
- Provided in grey polyethylene case with 3 ft. of rubber tubing

TYPE			84K
Range			Part No.
0 to 15" H ₂ O		0 to 4.0 kPa	G28145
0 to 8.75 oz/in ²	0 to 15" H ₂ O	0 to 4.0 kPa	G33421
0 to 20 oz/in ²	0 to 30" H ₂ O	0 to 8.6 kPa	G24507
0 to 58 oz/in ²	0 to 100" H ₂ O	0 to 25 kPa	G27038

Digital Pocket Thermometer

- 3.5 Digital LCD display
- ABS Plastic Case
- 5" long stem
- Protective Case with SS Clip

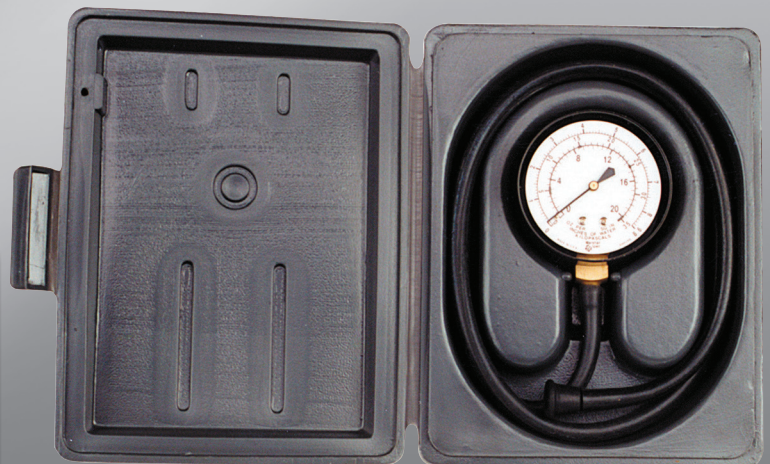
Marsh Instruments Digital Pocket Thermometers have a 3.5 digit LCD display, ABS case and a 304SS 5" long stem. The accuracy is $\pm 2^\circ\text{F}$ with an update time of 10 seconds. Each unit has an on-off switch for longer battery life and comes with the protective carrying case.

Typical applications include the food industries, HVAC/R, and any applications requiring fast and accurate temperature.



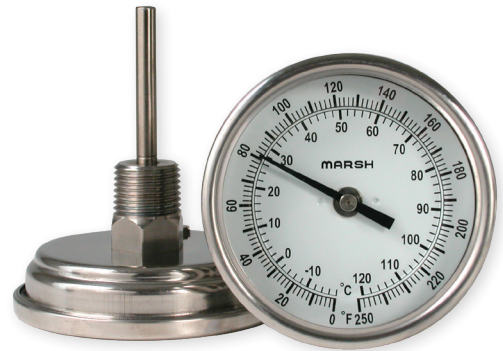
Specifications

Accuracy	$\pm 2^\circ\text{F}$
Scale	-58 to 302°F / -50 to 150°C
Case	ABS Plastic



Bimetal Thermometers

- External Reset Feature for Field Recalibration (3" & 5")
- 9 Dual Scale Ranges to 1,000°F (525°C)
- Hermetically Sealed Case Design
- 2", 3" and 5" Dials
- Stem Lengths to 24"
- 1% Full Scale Accuracy



Marsh Instruments Bimetal Thermometers combine the benefits of economy and reliability for local mounted temperature indication in the dual scale ranges from -50° to 1,000°F (-40° to 525°C). Additional advantages offered by the Series "L" Bimetal Thermometers include an easy-to-read dual scale, fast speed of response, and accurate temperature indication. The hermetically sealed and ruggedly built case is resistant to shock, vibration, dust and moisture. Corrosion resistance to most chemicals is provided by the all welded type 304 Stainless Steel construction. The extremely responsive bimetal sensing element provides an accuracy to within $\pm 1\%$ of scale. An external adjustment screw on the back of the 3" and 5" case provides convenient reset and field recalibration. Built-in over range protection is a standard feature.

Typical applications include process, offshore, power, chemical industries, HVAC and OEM applications.

Specifications

Accuracy	$\pm 1\%$ of span throughout entire range for 2" immersion in liquids, 4" in gases					
Case Material	304 Stainless Steel					
Stem	304 Stainless Steel, 1/4" diameter					
Dials	Dual scale in degrees Fahrenheit and Celsius					
Window	Glass, hermetically sealed					
Size	2"					
Connection (NPT)	1/4 NPT					
Mounting	CB	CB	CB	CB	CB	
Stem Length	2-1/2"	4"	6"	9"	12"	
-50° to 120°F/-40° to 50°C	L11101	L11201	L11301	L11401	L11501	
-40° to 160°F/-40° to 70°C	L11102	L11202	L11302	L11402	L11502	
0° to 200°F/-20° to 90°C	L11104	L11204	L11304	L11404	L11504	
0° to 250°F/-20° to 120°C	L11105	L11205	L11305	L11405	L11505	
50° to 300°F/10° to 150°C	L11106	L11206	L11306	L11406	L11506	
50° to 400°F/10° to 200°C	L11107	L11207	L11307	L11407	L11507	
50° to 550°F/10° to 300°C	L11108	L11208	L11308	L11408	L11508	
150° to 750°F/70° to 400°C	L11110	L11210	L11310	L11410	L11510	
200° to 1000°F/100° to 525°C	L11111	L11211	L11311	L11411	L11511	
Size	3"					
Connection (NPT)	1/2 NPT					
Mounting	CB	CB	CB	CB	CB	CB
Stem Length	2-1/2"	4"	6"	9"	12"	15"
-50° to 120°F/-40° to 50°C	L31101	L31201	L31301	L31401	L31501	L31601
-40° to 160°F/-40° to 70°C	L31102	L31202	L31302	L31402	L31502	L31602
0° to 200°F/-20° to 90°C	L31104	L31204	L31304	L31404	L31504	L31604
0° to 250°F/-20° to 120°C	L31105	L31205	L31305	L31405	L31505	L31605
50° to 300°F/10° to 150°C	L31106	L31206	L31306	L31406	L31506	L31606
50° to 400°F/10° to 200°C	L31107	L31207	L31307	L31407	L31507	L31607
50° to 550°F/10° to 300°C	L31108	L31208	L31308	L31408	L31508	L31608
150° to 750°F/70° to 400°C	L31110	L31210	L31310	L31410	L31510	L31610
200° to 1000°F/100° to 525°C	L31111	L31211	L31311	L31411	L31511	L31611

Size	3" Adjustable Angle					
Connection (NPT)	1/2 NPT					
Mounting	AJ	AJ	AJ	AJ	AJ	AJ
Stem Length	2-1/2"	4"	6"	9"	12"	15"
-50° to 120°F/-40° to 50°C	L33101	L33201	L33301	L33401	L33501	L33601
-40° to 160°F/-40° to 70°C	L33102	L33202	L33302	L33402	L33502	L33602
0° to 200°F/-20° to 90°C	L33104	L33204	L33304	L33404	L33504	L33604
0° to 250°F/-20° to 120°C	L33105	L33205	L33305	L33405	L33505	L33605
50° to 300°F/ 10° to 150°C	L33106	L33206	L33306	L33406	L33506	L33606
50° to 400°F/ 10° to 200°C	L33107	L33207	L33307	L33407	L33507	L33607
50° to 550°F/ 10° to 300°C	L33108	L33208	L33308	L33408	L33508	L33608
150° to 750°F/ 70° to 400°C	L33110	L33210	L33310	L33410	L33510	L33610
200° to 1000°F/ 100° to 525°C	L33111	L33211	L33311	L33411	L33511	L33611

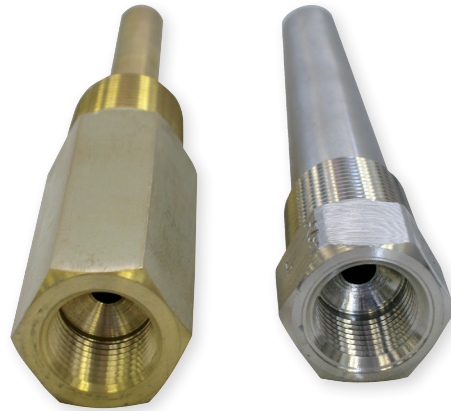


Size	5"							
Connection (NPT)	1/2 NPT							
Mounting	CB	CB	CB	CB	CB	CB	CB	CB
Stem Length	2-1/2"	4"	6"	9"	12"	15"	18"	24"
-50° to 120°F/-40° to 50°C	L51101	L51201	L51301	L51401	L51501	L51601	L51701	L51801
-40° to 160°F/-40° to 70°C	L51102	L51202	L51302	L51402	L51502	L51602	L51702	L51802
0° to 200°F/-20° to 90°C	L51104	L51204	L51304	L51404	L51504	L51604	L51704	L51804
0° to 250°F/-20° to 120°C	L51105	L51205	L51305	L51405	L51505	L51605	L51705	L51805
50° to 300°F/ 10° to 150°C	L51106	L51206	L51306	L51406	L51506	L51606	L51706	L51806
50° to 400°F/ 10° to 200°C	L51107	L51207	L51307	L51407	L51507	L51607	L51707	L51807
50° to 550°F/ 10° to 300°C	L51108	L51208	L51308	L51408	L51508	L51608	L51708	L51808
150° to 750°F/ 70° to 400°C	L51110	L51210	L51310	L51410	L51510	L51610	L51710	L51810
200° to 1000°F/ 100° to 525°C	L51111	L51211	L51311	L51411	L51511	L51611	L51711	L51811

Size	5" Adjustable Angle							
Connection (NPT)	1/2 NPT							
Mounting	AJ	AJ	AJ	AJ	AJ	AJ	AJ	AJ
Stem Length	2-1/2"	4"	6"	9"	12"	15"	18"	24"
-50° to 120°F/-40° to 50°C	L53101	L53201	L53301	L53401	L53501	L53601	L53701	L53801
-40° to 160°F/-40° to 70°C	L53102	L53202	L53302	L53402	L53502	L53602	L53702	L53802
0° to 200°F/-20° to 90°C	L53104	L53204	L53304	L53404	L53504	L53604	L53704	L53804
0° to 250°F/-20° to 120°C	L53105	L53205	L53305	L53405	L53505	L53605	L53705	L53805
50° to 300°F/ 10° to 150°C	L53106	L53206	L53306	L53406	L53506	L53606	L53706	L53806
50° to 400°F/ 10° to 200°C	L53107	L53207	L53307	L53407	L53507	L53607	L53707	L53807
50° to 550°F/ 10° to 300°C	L53108	L53208	L53308	L53408	L53508	L53608	L53708	L53808
150° to 750°F/ 70° to 400°C	L53110	L53210	L53310	L53410	L53510	L53610	L53710	L53810
200° to 1000°F/ 100° to 525°C	L53111	L53211	L53311	L53411	L53511	L53611	L53711	L53811

Thermowells

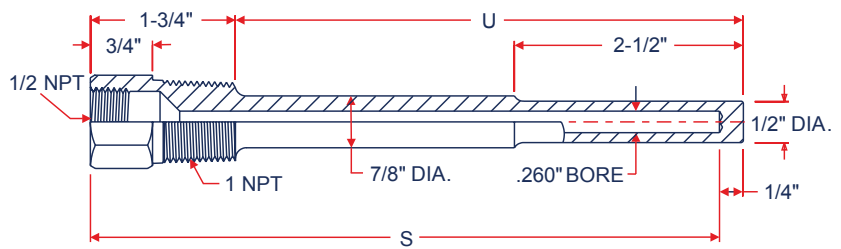
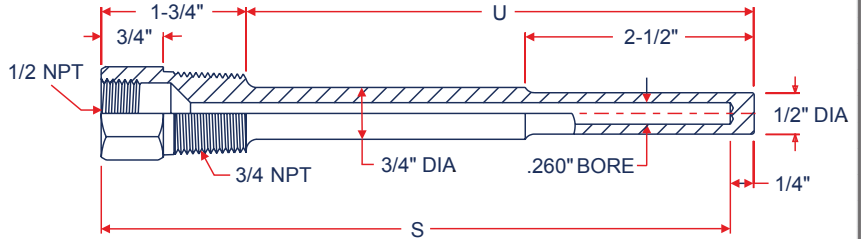
- Brass, 304 Stainless Steel or 316 Stainless Steel
- Tapered or Straight Shank
- 0.260 and 0.385 Standard Bore Sizes
- Threaded for easy connection



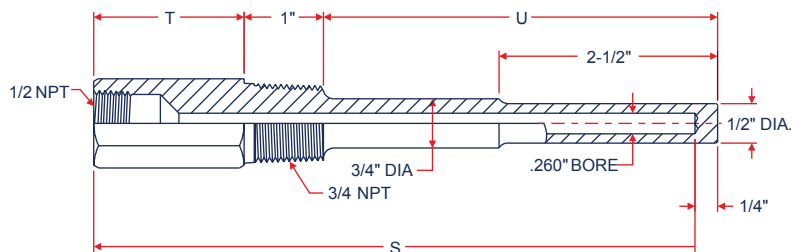
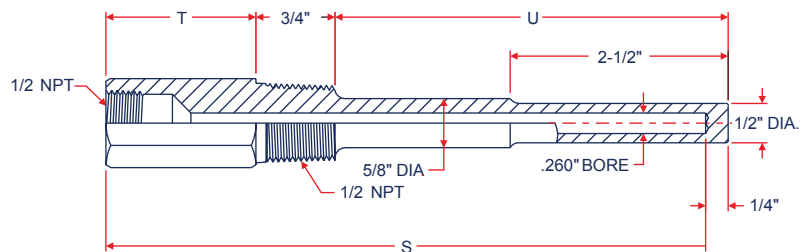
	Part Number	"S" Stem	"U" Insertion	Well Material
	M3957K67	2-1/2	1-1/8	Brass
	M3957K68	2-1/2	1-1/8	304SS
	M3957K69	2-1/2	1-1/8	316SS
	M3957K64	4	2-1/2	Brass
	M3957K65	4	2-1/2	304SS
	M3957K66	4	2-1/2	316SS
	M3957K37	6	4-1/2	Brass
	M3957K38	6	4-1/2	304SS
	M3957K51	6	4-1/2	316SS
	M3957K39	9	7-1/2	Brass
	M3957K41	9	7-1/2	304SS
	M3957K52	9	7-1/2	316SS
	M3957K42	12	10-1/2	Brass
	M3957K43	12	10-1/2	304SS
	M3957K53	12	10-1/2	316SS
	M3957K71	18	16-1/2	Brass
	M3957K72	18	16-1/2	304SS
	M3957K73	18	16-1/2	316SS
		M3957K74	24	22-1/2
M3957K75		24	22-1/2	304SS
M3957K76		24	22-1/2	316SS
M3957K77		2-1/2	1-5/8	Brass
M3957K78		2-1/2	1-5/8	304SS
M3957K79		2-1/2	1-5/8	316SS

Thermowells

Part Number	"S" Stem	"U" Insertion	Well Material
M3957K11	4	2-1/2	Brass
M3957K21	4	2-1/2	304SS
M3957K54	4	2-1/2	316SS
M3957K12	6	4-1/2	Brass
M3957K22	6	4-1/2	304SS
M3957K55	6	4-1/2	316SS
M3957K13	9	7-1/2	Brass
M3957K23	9	7-1/2	304SS
M3957K56	9	7-1/2	316SS
M3957K44	12	10-1/2	Brass
M3957K45	12	10-1/2	304SS
M3957K57	12	10-1/2	316SS
M3957K84	18	16-1/2	Brass
M3957K85	18	16-1/2	304SS
M3957K86	18	16-1/2	316SS
M3957K87	24	22-1/2	Brass
M3957K88	24	22-1/2	304SS
M3957K89	24	22-1/2	316SS
M3957K46	4	2-1/2	Brass
M3957K47	4	2-1/2	304SS
M3957K58	4	2-1/2	316SS
M3957K48	6	4-1/2	Brass
M3957K49	6	4-1/2	304SS
M3957K59	6	4-1/2	316SS
M3957K91	9	7-1/2	Brass
M3957K92	9	7-1/2	304SS
M3957K93	9	7-1/2	316SS
M3957K94	12	10-1/2	Brass
M3957K95	12	10-1/2	304SS
M3957K96	12	10-1/2	316SS
M3957K14	18	16-1/2	Brass
M3957K15	18	16-1/2	304SS
M3957K16	18	16-1/2	316SS
M3957K17	24	22-1/2	Brass
M3957K18	24	22-1/2	304SS
M3957K19	24	22-1/2	316SS



Part Number	"S" Stem	"U" Insertion	"T" Lag	Well Material
M3957K24	9	4-1/2	4	Brass
M3957K25	9	4-1/2	4	304SS
M3957K26	9	4-1/2	4	316SS
M3957K27	12	7-1/2	4	Brass
M3957K28	12	7-1/2	4	304SS
M3957K29	12	7-1/2	4	316SS
M3957K4	18	13-1/2	4	Brass
M3957K5	18	13-1/2	4	304SS
M3957K6	18	13-1/2	4	316SS
M3957K7	24	19-1/2	4	Brass
M3957K8	24	19-1/2	4	304SS
M3957K9	24	19-1/2	4	316SS
M3957K31	6	2-1/2	2-3/4	Brass
M3957K32	6	2-1/2	2-3/4	304SS
M3957K61	6	2-1/2	2-3/4	316SS
M3957K33	9	4-1/2	3-3/4	Brass
M3957K34	9	4-1/2	3-3/4	304SS
M3957K62	9	4-1/2	3-3/4	316SS
M3957K35	12	7-1/2	3-3/4	Brass
M3957K36	12	7-1/2	3-3/4	304SS
M3957K63	12	7-1/2	3-3/4	316SS
M3957K114	18	13-1/2	3-3/4	Brass
M3957K115	18	13-1/2	3-3/4	304SS
M3957K116	18	13-1/2	3-3/4	316SS
M3957K117	24	19-1/2	3-3/4	Brass
M3957K118	24	19-1/2	3-3/4	304SS
M3957K119	24	19-1/2	3-3/4	316SS



	Part Number	"S" Stem	"U" Insertion	"T" Lag	Well Material
	M3957K121	9	4-1/2	3-3/4	Brass
	M3957K122	9	4-1/2	3-3/4	304SS
	M3957K123	9	4-1/2	3-3/4	316SS
	M3957K124	12	7-1/2	3-3/4	Brass
	M3957K125	12	7-1/2	3-3/4	304SS
	M3957K126	12	7-1/2	3-3/4	316SS
	M3957K131	18	13-1/2	3-3/4	Brass
	M3957K132	18	13-1/2	3-3/4	304SS
	M3957K133	18	13-1/2	3-3/4	316SS
	M3957K134	24	19-1/2	3-3/4	Brass
	M3957K135	24	19-1/2	3-3/4	304SS
	M3957K136	24	19-1/2	3-3/4	316SS

	Part Number	"S" Stem	"U" Insertion	Well Material
	M3957K137	4	2-1/2	Brass
	M3957K138	4	2-1/2	304SS
	M3957K139	4	2-1/2	316SS
	M3957K141	6	4-1/2	Brass
	M3957K142	6	4-1/2	304SS
	M3957K143	6	4-1/2	316SS
	M3957K144	9	7-1/2	Brass
	M3957K145	9	7-1/2	304SS
	M3957K146	9	7-1/2	316SS
	M3957K147	12	10-1/2	Brass
	M3957K148	12	10-1/2	304SS
	M3957K149	12	10-1/2	316SS

	Part Number	"S" Stem	"U" Insertion	Well Material
	M3957K162	4	2-1/2	Brass
	M3957K163	4	2-1/2	304SS
	M3957K164	4	2-1/2	316SS
	M3957K165	6	4-1/2	Brass
	M3957K166	6	4-1/2	304SS
	M3957K167	6	4-1/2	316SS
	M3957K168	9	7-1/2	Brass
	M3957K169	9	7-1/2	304SS
	M3957K171	9	7-1/2	316SS
	M3957K172	12	10-1/2	Brass
	M3957K173	12	10-1/2	304SS
	M3957K174	12	10-1/2	316SS

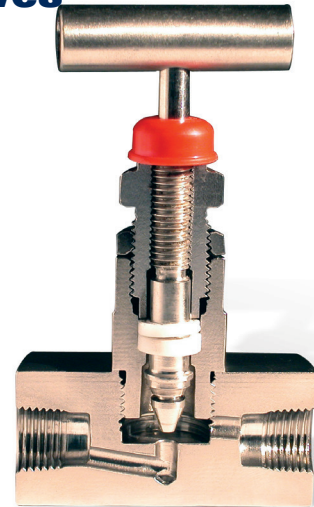
	Part Number	"S" Stem	"U" Insertion	Well Material
	M3957K221	4	2-1/2	Brass
	M3957K222	4	2-1/2	304SS
	M3957K223	4	2-1/2	316SS
	M3957K231	6	4-1/2	Brass
	M3957K232	6	4-1/2	304SS
	M3957K233	6	4-1/2	316SS
	M3957K241	9	7-1/2	Brass
	M3957K242	9	7-1/2	304SS
	M3957K243	9	7-1/2	316SS

	Part Number	"S" Stem	"U" Insertion	Well Material
	M3957K261	4	2-1/2	Brass
	M3957K262	4	2-1/2	304SS
	M3957K263	4	2-1/2	316SS
	M3957K271	6	4-1/2	Brass
	M3957K272	6	4-1/2	304SS
	M3957K273	6	4-1/2	316SS
	M3957K281	9	7-1/2	Brass
	M3957K282	9	7-1/2	304SS
	M3957K283	9	7-1/2	316SS

BelGAS Metal-to-Metal Seat Needle Valves

These 316 stainless steel valves are ideally suited for applications when caustic and corrosive material are being used. Pressure ratings to 10,000 psi (70,000 kPa).

- "T" bar handle
- Teflon* packing
- Roll-formed stem threads
- Precision-machined stem
- Bonnet locking pin prevents accidental removal
- Below stem thread packing gland
- Hardened and ground self centering, non-rotating tip
- Metal-to-Metal seat
- Pressure rating, 10,000 psi (70,000 kPa)



Specifications and Description

Body and Bonnet Material	ASTM A182F 316 stainless steel or ASTM A105 forged single piece steel, plated
Stem Material	316 Stainless Steel
Pressure/Temperature Rating	See Page 7 for Temperature / Pressure limits
Packing	Two piece molded Teflon* (PTFE).
Seat	Metal-to-Metal
Handle	"T" bar; 316 Stainless Steel or ASTM A108 Alloy Steel
Connection	National Pipe Thread, meeting specifications of ANSI B2.1
Finish	Stainless Steel is Passivated. Alloy Steel has a clear Zinc Dichromate finish.
* Teflon is a registered trademark of DuPont.	
** NACE valves are manufactured of 316 SS.	

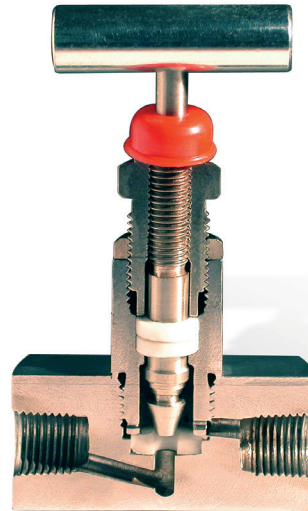
Pattern	Size NPT	Part Number		C _v
		316 SST	Carbon	
FFG	1/8	VHS-FFG-18	VHC-FFG-18	0.40
	1/4	VHS-FFG-14	VHC-FFG-14	0.40
	3/8	VHS-FFG-38	VHC-FFG-38	0.90
	1/2	VHS-FFG-12	VHC-FFG-12	1.10
	3/4	VHS-FFG-34	VHC-FFG-34	2.30
	1	VHS-FFG-01	VHC-FFG-01	3.50
MFG	1/4	VHS-MFG-14	VHC-MFG-14	0.40
	1/2	VHS-MFG-12	VHC-MFG-12	1.20
	3/4 x 1/2	VHS-MFG-3412	VHC-MFG-3412	1.90
FFA	1/8	VHS-FFA-18	VHC-FFA-18	0.70
	1/4	VHS-FFA-14	VHC-FFA-14	0.80
	3/8	VHS-FFA-38	VHC-FFA-38	1.60
	1/2	VHS-FFA-12	VHC-FFA-12	2.20
	3/4	VHS-FFA-34	VHC-FFA-34	2.20
	1	VHS-FFA-01	VHC-FFA-01	2.20
MFA	1/4	VHS-MFA-14	VHC-MFA-14	0.60
	1/2	VHS-MFA-12	VHC-MFA-12	1.50

Option	Suffix
Graphite Packing - High Temp.	H
NACE**	N
Panel Mount	P

BelGAS Soft-Seat Needle Valves

For applications where bubble-tight shutoff of liquids or gases are required. Pressure rating to 6,000 psi (42,000 kPa). These valves are designed with a replaceable Delrin** soft seat.

- "T" bar handle
- Teflon* packing
- Roll-formed stem threads
- Precision-machined stem
- Bonnet locking pin prevents accidental removal
- Below stem thread packing gland
- Hardened and ground self-centering, non-rotating tip
- Soft-Seat
- Bubble-tight shutoff of liquids or gases to 6,000 psi (42,000 kPa)



Specifications and Description

Body and Bonnet Material	ASTM A182F 316 Stainless Steel or ASTM A105 forged single piece steel, plated.
Stem Material	316 Stainless Steel
Pressure/Temperature Rating	See Page 7 for Temperature / Pressure limits
Packing	Two piece molded Teflon* (PTFE)
Seat	Delrin** Soft-Seat.
Handle	"T" bar; 316 Stainless Steel or ASTM A108 Alloy Steel
Connection	National Pipe Thread, meeting specifications of ANSI B2.1
Finish	Stainless Steel is Passivated. Alloy Steel has a clear Zinc Dichromate finish
Stem Retaining Method	All valves feature integral back-seated stem for preventing accidental removal
Assembly	Bonnet is threaded into body and pinned into place
* Teflon is a registered trademark of DuPont	
** Delrin is a registered trademark of DuPont	
*** NACE valves are manufactured of 316 SS	

Pattern	Size NPT	Part Number		C _v
		316 SST	Carbon	
FFG	1/4	VSS-FFG-14	VSC-FFG-14	0.60
	1/2	VSS-FFG-12	VSC-FFG-12	0.70
	3/4	VSS-FFG-34	VSC-FFG-34	2.35
	1	VSS-FFG-01	VSC-FFG-01	2.00
MFG	1/4	VSS-MFG-14	VSC-MFG-14	0.60
	1/2	VSS-MFG-12	VSC-MFG-12	0.70
	1/4 x 1/2	VSS-MFG-1412	VSC-MFG-1412	0.80
MFA	1/4	—	VSC-MFA-14	0.70
	1/2	—	VSC-MFA-12	0.70

Option	Suffix
Graphite Packing - High Temp.	H
NACE***	N
Panel Mount	P

Needle Valves Patterns and Dimensions

Metal-to-Metal - 316 Stainless Steel or Alloy

FFG and MFG

Double Female and Male/Female Globe Pattern

Dimension	Nominal Sizes (inches [mm])					
	1/8	1/4	3/8	1/2	3/4	1
A	3.39 [86.0]	3.39 [86.0]	3.46 [88.0]	3.62 [92.0]	3.66 [93.0]	4.41 [112.0]
B		1.18 [30.0]		1.26 [32.0]	1.26 [32.0]	1.69 [43.0]
CF	2.36 [60.0]	2.36 [60.0]	2.68 [68.0]	2.68 [68.0]	2.68 [68.0]	3.15 [80.0]
CM		2.99 [76.0]		3.50 [89.0]	3.50 [89.0]	4.13 [105.0]
E	1.12 [28.5]	1.12 [28.5]	1.26 [32.0]	1.50 [38.0]	1.57 [40.0]	1.77 [45.0]
Orifice	0.17 [4.2]	0.17 [4.2]	0.25 [6.4]	0.28 [7.0]	0.35 [9.0]	0.47 [12.0]

FFA and MFA

Double Female and Male/Female Angle Pat-

Dimension	Nominal Sizes (inches [mm])					
	1/8	1/4	3/8	1/2	3/4	1
A	3.39 [86.0]	3.39 [86.0]	3.39 [86.0]	3.62 [92.0]	3.62 [92.0]	4.41 [112.0]
C	1.65 [42.0]	1.65 [42.0]	1.65 [42.0]	1.97 [50.0]	1.97 [50.0]	2.36 [60.0]
E	1.10 [28.0]	1.10 [28.0]	1.10 [28.0]	1.26 [32.0]	1.42 [36.0]	1.81 [46.0]
F	1.65 [42.0]	1.65 [42.0]	1.65 [42.0]	1.97 [50.0]	1.97 [50.0]	2.36 [60.0]
Orifice	0.17 [4.2]	0.17 [4.2]	0.25 [6.4]	0.28 [7.0]	0.35 [9.0]	0.47 [12.0]

Soft-Seat - 316 Stainless Steel or Alloy

FFG and MFG

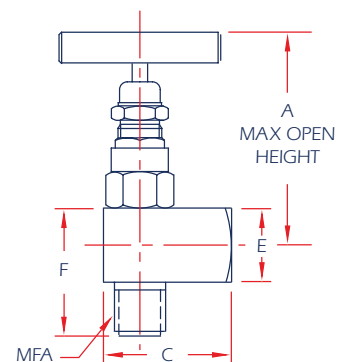
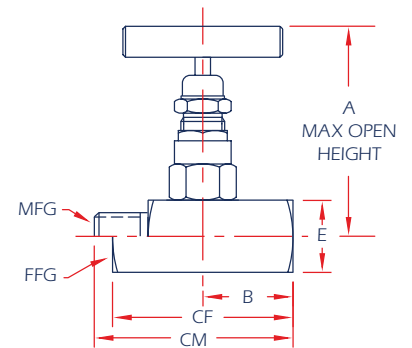
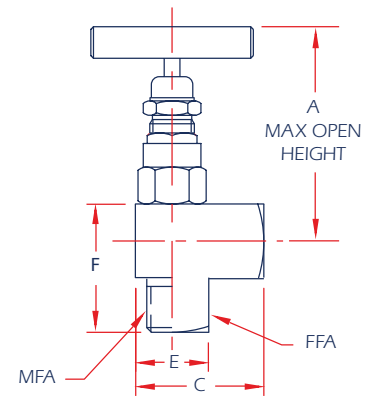
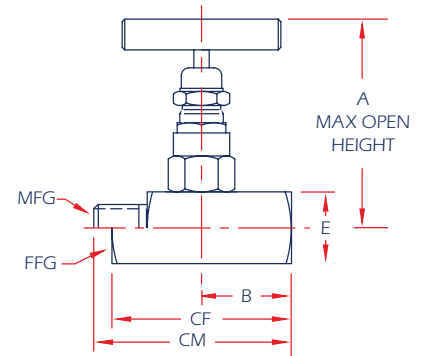
Double Female and Male/Female Globe Pattern

Dimension	Nominal Sizes (inches [mm])			
	1/4	1/2	1/4 x 1/2	1
A	3.39 [86.0]	3.62 [92.0]	3.62 [92.0]	4.41 [112.0]
B	1.18 [30.0]	1.26 [32.0]		1.26 [32.0]
CF	2.36 [60.0]	2.68 [68.0]		3.15 [80.0]
CM	2.99 [76.0]	3.50 [89.0]	3.50 [89.0]	
E	1.12 [28.5]	1.26 [32.0]	1.50 [38.0]	1.77 [45.0]
Orifice	0.17 [4.2]	0.28 [7.0]	0.28 [7.0]	0.47 [12.0]

MFA

Male/Female Angle Pattern

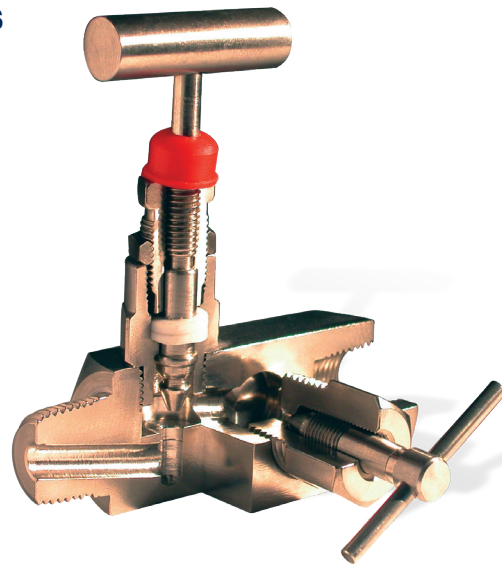
Dimension	Nominal Sizes (inches [mm])	
	1/4	1/2
A	3.39 [86.0]	3.62 [92.0]
C	1.65 [42.0]	1.97 [50.0]
E	1.10 [28.0]	1.26 [32.0]
F	1.65 [42.0]	1.97 [50.0]
Orifice	0.17 [4.2]	0.28 [7.0]



BelGAS Block/Bleed Needle Valves

Ideally used to isolate gauge legs and gauge reading, allow sampling to take place without loss of material and provide extra pressure ports with isolation capabilities and can be used only when needed.

- "T" Bar Handle
- Teflon* Packing
- Roll-Formed Stem Threads
- Precision-Machined Stem
- Below Stem Thread Packing Gland
- Hardened and Ground 316 Stainless Steel, Self-Centering, Non-Rotating Tip
- Carbon Steel or 316 SST Port Plug
- Pressure Rating, 10,000 PSI (70,000 kPa)



Specifications and Description

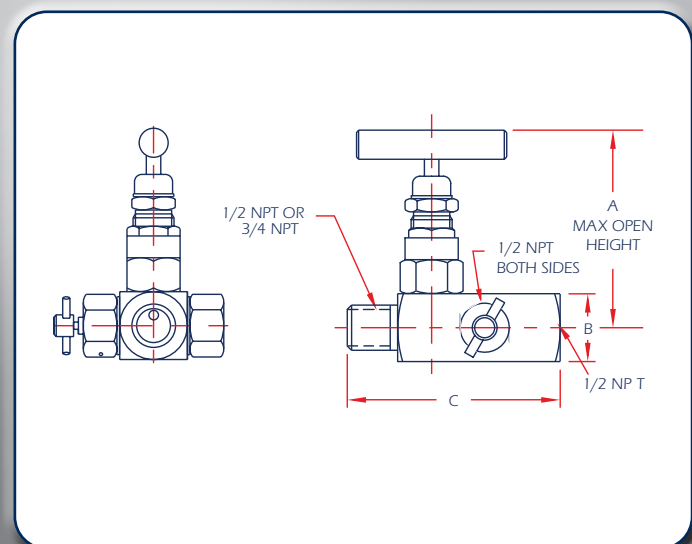
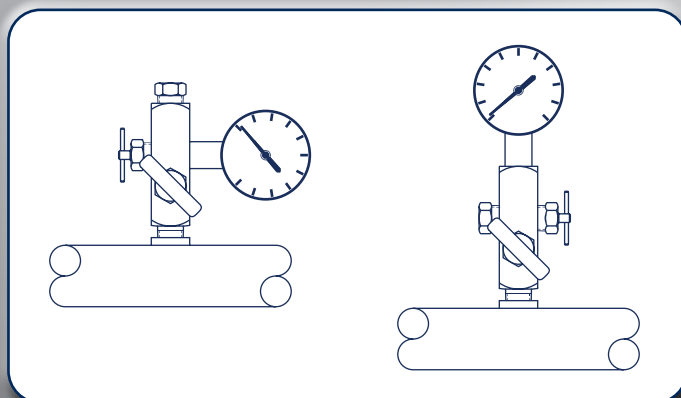
Body and Bonnet Material	ASTM A182F 316 Stainless Steel or ASTM A105 forged single piece steel, plated
Stem Material	316 Stainless Steel
Pressure/Temperature Rating	See Page 7 for Temperature / Pressure limits
Packing	Two piece molded Teflon* (PTFE)
Seat	Metal-to-Metal
Handle	"T" Bar; 316 Stainless Steel or ASTM A108 Alloy Steel
Connection	National Pipe Thread, meeting specifications of ANSI B2.1
Finish	Stainless Steel is Passivated. Alloy Steel has a clear Zinc Dichromate finish
Stem Retaining Method	All valves feature integral back-seated stem for preventing accidental removal
Assembly	Bonnet is threaded into body and pinned into place.

* Teflon is a registered trademark of DuPont.

Pattern	Size NPT	Part Number		C _v
		316 SST	Carbon	
Block/Bleed	1/2 x 1/2	BHS-MFG-12	BHC-MFG-12	0.40
	3/4 x 1/2	BHS-MFG-3412	BHC-MFG-3412	0.40

Option	Suffix
Graphite Packing - High Temp.	H

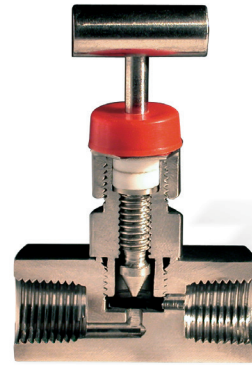
Dimension	Nominal Size (inches [mm])	
	1/2	3/4 x 1/2
A	3.54 [90.0]	3.54 [90.0]
B	1.50 [38.0]	1.50 [38.0]
C	3.74 [95.0]	3.74 [95.0]
Orifice	0.28 [7.0]	0.28 [7.0]



BelGAS Miniature Needle Valves

Miniature size for applications where space is limited.
Ideal for test stand and general equipment.

- "T" Bar Handle or Thumb Wheel
- Roll-Formed Stem Threads
- Precision-Machined Stem
- Teflon* Packing
- Bonnet Locking Pin Prevents Accidental Removal
- Metal-to-Metal and Soft Seat
- Pressure Rating, 6,000 PSI (42,000 kPa)



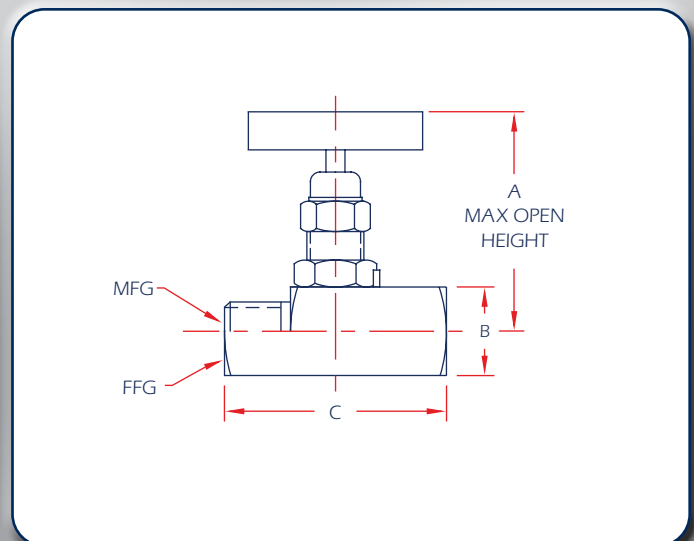
Specifications and Description

Body and Bonnet Material	ASTM A479 316 Stainless Steel or ASTM A108 Barstock Steel, Plated
Stem Material	316 Stainless Steel
Bonnet Cap (Protective Cover)	Low Density Polyethylene, Red
Pressure/ Temperature Rating	See Page 7 for Temperature / Pressure limits
Packing	Molded Teflon* (PTFE)
Seat	Metal-to-Metal and Delrin** Soft-Seat
Handle	"T" Bar; 316 Stainless Steel / ASTM A108 Alloy Steel / Aluminum Anodized Thumb Wheel
Connection	National Pipe Thread, meeting specifications of ANSI B2.1
Finish	Stainless Steel is Passivated. Alloy Steel has a clear Zinc Dichromate finish
Stem Retaining Method	All valves feature integral back-seated stem for preventing accidental removal
Assembly	Bonnet is threaded into body and pinned into place

* Teflon is a registered trademark of DuPont.
** Delrin is a registered trademark of DuPont.

Pat-tern	Size NPT	Part Number		Seat	C _v
		316 SST	Carbon		
FFG	1/8	MHS-FFG-18	MHC-FFG-18	Hard	0.25
	1/8	MHS-FFG-18W	MHC-FFG-18W	Hard	0.25
	1/4	MHS-FFG-14	MHC-FFG-14	Hard	0.25
	1/4	MHS-FFG-14W	MHC-FFG-14W	Hard	0.25

Dimension	Nominal Size (inches [mm])	
	1/8	1/4
A	2.44 [62.0]	2.44 [62.0]
B	0.87 [22.0]	0.87 [22.0]
C	1.89 [48.0]	1.89 [48.0]
Orifice	0.13 [3.2]	0.13 [3.2]



BelGAS Needle Valve Temperature Ratings

Minimum Applicable Temperatures;

Cast steel - ASTM-A-105 - 20° F / - 28°C

Stainless - ASTM-A-479 - 65° F / - 53°C

Temperatures up to 300° F use a PTFE packing material

Temperatures above 300° F use Graphoil packing material

For 600 PSIG Rated Valves			
Max Temperature		Max Pressure for Max Temperature	
°F	°C	PSIG	MPa
100	38	6,000	41.4
200	93	3,000	20.4
250	121	1,600	11.0
300	149	1,300	9.0
350	177	1,200	8.3
400	204	1,000	6.8

For 10,000 PSIG Rated Valves & Manifolds			
Max Temperature		Max Pressure for Max Temperature	
°F	°C	PSIG	MPa
100	38	10,000	69.0
200	93	9,290	64.0
250	121	8,840	61.0
300	149	8,390	57.8
400	204	7,705	53.2
450	232	7,435	51.3
500	260	7,165	49.0
600	316	6,770	46.7

Notes:

