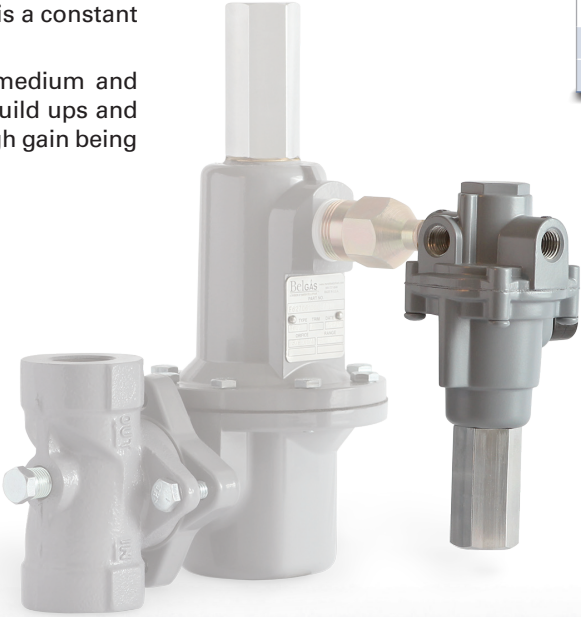


# F627 Pilot Regulator

The PL81 is designed as a pilot for High Flow regulators when accuracy and speed is desirable. The PL81 is used in conjunction with the range spring to achieve faster correction response and a more accurate adjustment of the pressure setting. The PL81 is a constant bleed pilot regulator.

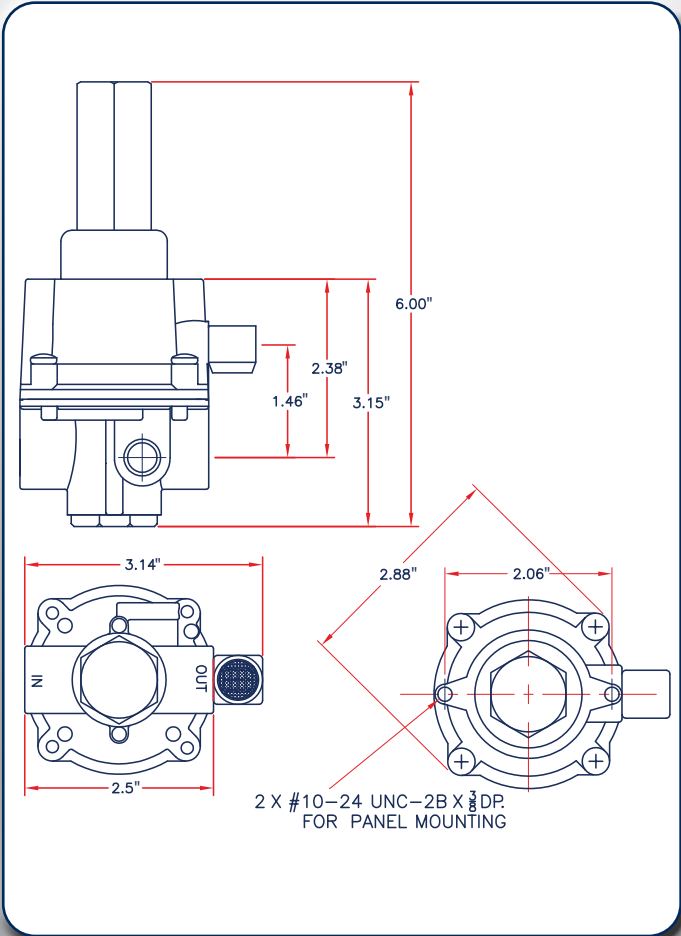
The gain options of low, medium and high allow for the lowest build ups and fastest response speed - high gain being the fastest.



## F627 Pilot Matrix

PL	002				0	
	↑	↑	↑	↑	↑	Version
	81					PSI Units
						Spring Range - WC or PSI / BAR
		035				0-35 / 0.0-2.4
		100				35-100 / 2.4-6.9
						Bleed Restrictions
			L			Low Gain
			S			Standard Gain
			H			High Gain
						Trim
				0		Nirile (NBR)
				2		Fluorocarbon (FKM)
						Body Material
					0	Aluminum

### PL81 Dimensions



### PL82 Dimensions

