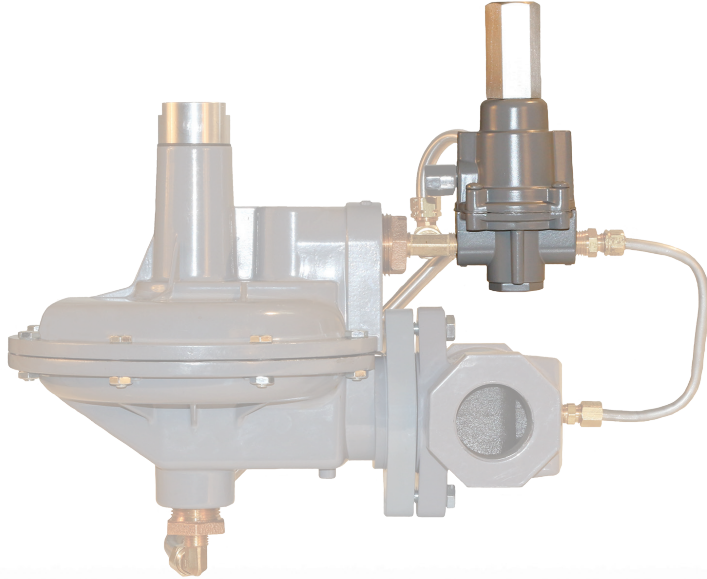


# F300 Pilot Regulators

The PL84 is designed as a pilot for medium and small commercial sized regulators when improved accuracy is desirable. The PL84 is equipped with a convoluted diaphragm to increase sensitivity. The PL84 is a constant bleed regulator available in low, medium, and high gain to modify the response time and build up pressures.

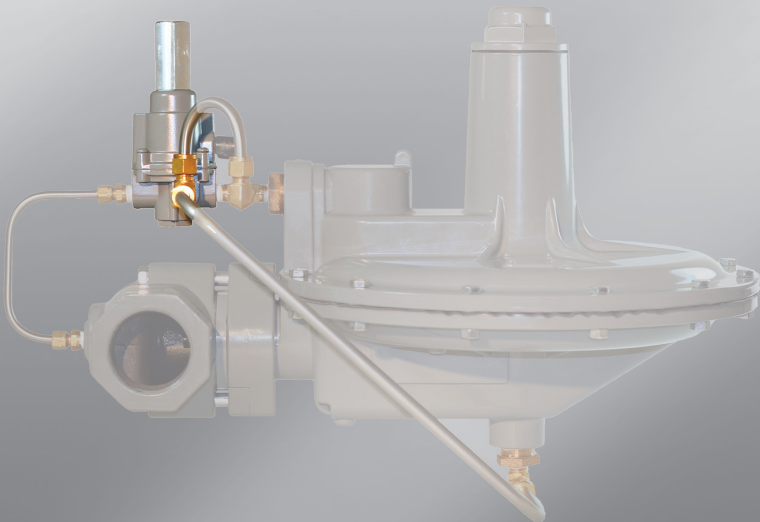


## F300 Pilot Part Matrix

PL		002				0	
	↑		↑	↑	↑	↑	Version
<b>84</b>							PSI & WC Units
							Spring Range - WC or PSI / BAR
		<b>010</b>					2-10 PSI / 0.13-0.69
		<b>020</b>					2 - 20 PSI / 0.13 -1.38
							Bleed Restrictions
			<b>L</b>				Low Gain
			<b>S</b>				Standard Gain
			<b>H</b>				High Gain
							Trim
			<b>0</b>				Nirile (NBR)
			<b>2</b>				Fluorocarbon (FKM)
							Body Material
			<b>0</b>				Aluminum

# F200 Pilot Regulators

The PL84 is designed as a pilot for medium and small commercial sized regulators when improved accuracy is desirable. The PL84 is equipped with a convoluted diaphragm to increase sensitivity. The PL84 is a constant bleed regulator available in low, medium, and high gain to modify the response time and build up pressures.



## F200 Pilot Part Matrix

PL		002				0	
	↑		↑	↑	↑	↑	Version
<b>84</b>							PSI & WC Units
							Spring Range - WC or PSI / BAR
		<b>014</b>					4-14" WC / .009-0.03
		<b>002</b>					14"-2 PSI / 0.03-0.13
		<b>010</b>					2-10 PSI / 0.13-0.69
							Bleed Restrictions
			<b>L</b>				Low Gain
			<b>S</b>				Standard Gain
			<b>H</b>				High Gain
							Trim
			<b>0</b>				Nirile (NBR)
			<b>2</b>				Fluorocarbon (FKM)
							Body Material
			<b>0</b>				Aluminum

## Pilot Regulator Filters

The PL Pilot Regulators can be adapted to many of the BelGAS pressure regulators. Although most main regulators are in some way modified to accept a pilot regulator operation, the BelGAS Pilot regulators can be used on other pressure regulators designed for the use of a pilot regulator.

In any application where a smaller flow rate due to a smaller orifice, medium filtration is the key to a smooth and trouble free operation of the pilot regulator. Filtration of the pilot supply is always recommended.

## P350 Filter Assemblies

Stainless and Aluminum cartridge type filters can be mounted in line before the pilot inlet.

P3500200000				
	↑	↑	↑	Drain Options
	<b>P</b>			Drain Plug
	<b>V</b>			Manual Drain Valve
				Filter Options
		<b>25</b>		25 Micron (Standard)
		<b>01</b>		1 Micron
		<b>05</b>		5 Micron
		<b>50</b>		50 Micron
				Body Material
			<b>0</b>	Stainless Steel
			<b>1</b>	Aluminium



## P590 In-Line Filter Assembly

Brass and stainless steel inline filter designed for use with multiple pilot regulators and main regulators.

P590 Complete Filter / Brass	P594
P590 Complete Filter / Stainless	P595
P590 25 Micron Element	677-052-000

## P590 Dimensions

