

**MODEL:**

**SV-B27 / SVP-B27 WITHOUT LEVER**

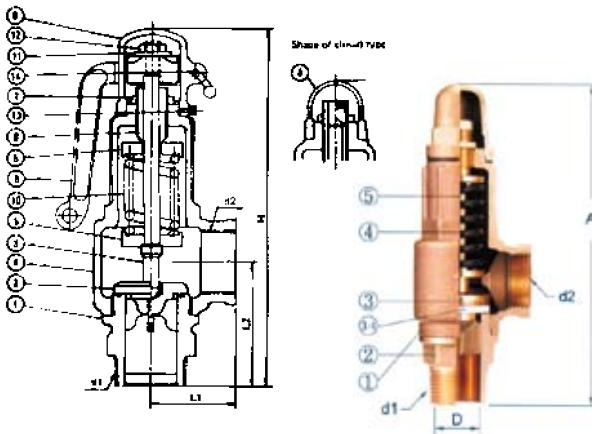
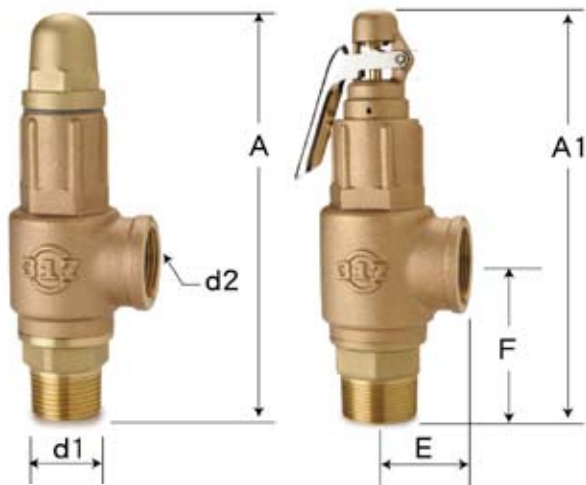
**SV-B29 / SVP-B29 WITH LEVER**

**SV-B27/SV-B29 optional Pressure: 10.5~20 Kgf/cm<sup>2</sup>**

When placing order, please indicate **Working Pressure**

The Disc can be replaced with PTFE for good effect of anti-leakage. (Model: SVP-B27, SVP-B29)

<b>Working Fluid :</b>	<b>SV-B27/SV-B29/SVP-B29</b> Non-Corrosive Gas, Air, Steam. <b>SVP-B27 (without lever)</b> Non-Corrosive Gas, Liquid, Air, Steam, Water, Oil.
<b>Working Temp:</b>	-45°C ~ 185°C
<b>Working Pressure:</b>	<b>SV-B27 / SV-B29</b> 0.3 ~ 10 Kgf/cm <sup>2</sup> , 11 ~ 20 Kgf/cm <sup>2</sup> <b>SVP-B27 / SVP-B29 (PTFE)</b> 3 ~ 10 Kgf/cm <sup>2</sup>
<b>Thread End:</b>	BSPT (BS21), NPT (ANSI B2.1)



**MATERIAL:**

No. / Parts	W/O Lever	SV-B27(S3W-A)	SVP-B27
	With Lever	SV-B29(S3W-LR)	SVP-B29
	<b>Type :</b>	METAL TO METAL	PTFE
1	<b>Valve Seat</b>	FORGE BRASS	FORGE BRASS
2	<b>Valve Disc</b>	FORGE BRASS	FORGE BRASS
3	<b>Valve spindle (Stem)</b>	FORGE BRASS	FORGE BRASS
3-1	<b>Valve Seal</b>	-	PTFE
4	<b>Valve Body</b>	BRONZE	BRONZE
5	<b>Spring Shoe</b>	BsBM	BsBM
6	<b>Adjusting Screw</b>	BsBM	BsBM
7	<b>Stop Nut</b>	BsBM	BsBM
8	<b>Cap</b>	FORGE BRASS	FORGE BRASS
9	<b>Lever (Type: B29)</b>	STEEL	STEEL
10	<b>Spring</b>	SWOSC-V	SWOSC-V
11	<b>Screw Washer</b>	BsBM	BsBM
12	<b>Hexagon Nut</b>	BsBM	BsBM
13	<b>Stop Bolt</b>	BsBM	BsBM
14	<b>Pin</b>	BsBF	BsBF

This type of safety valve is characterized by regulating of pressure in valve rising and blowing-out when actuated and is the smallest and lightest valve, and also can be used in non-corrosive gases (air, oxygen, nitrogen, etc.) steam and liquids, such as water and oil. The sizes shown in the chart are subject to change without notice.

Nominal Diameter	Valve Seat Diameter D	Lift ℓ	Effective Area mm <sup>2</sup>			L1 E	L2 F	Fitting Screw		Close Type		Lever Type	
			2.22DI	π DI	0.785D <sup>2</sup>			Inlet d1	Outlet d2	A <sup>mm</sup>	Wt.	A1 <sup>mm</sup>	Wt.
12	12	0.52	13.32	18.84	113.0	29	50	PT 1/2	PF 1/2	138	0.52	161	0.59
19	19	0.76	32.05	45.36	283.3	36	58	PT 3/4	PF 3/4	150	0.66	172	0.74
25	25	1.00	55.50	78.53	490.6	40	70	PT 1	PF 1	180	1.09	202	1.19
32	32	1.28	90.93	128.67	803.8	50	82	PT 1.1/4	PF 1.1/4	206	1.90	222	1.94
38	38	1.52	128.22	181.45	1133.5	54	93	PT 1.1/2	PF 1.1/2	231	2.35	246	2.39
50	50	2.00	222.00	314.15	1962.5	67	102	PT 2	PF 2	265	3.85	282	4.11