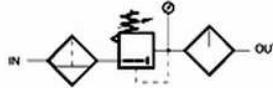




OU...

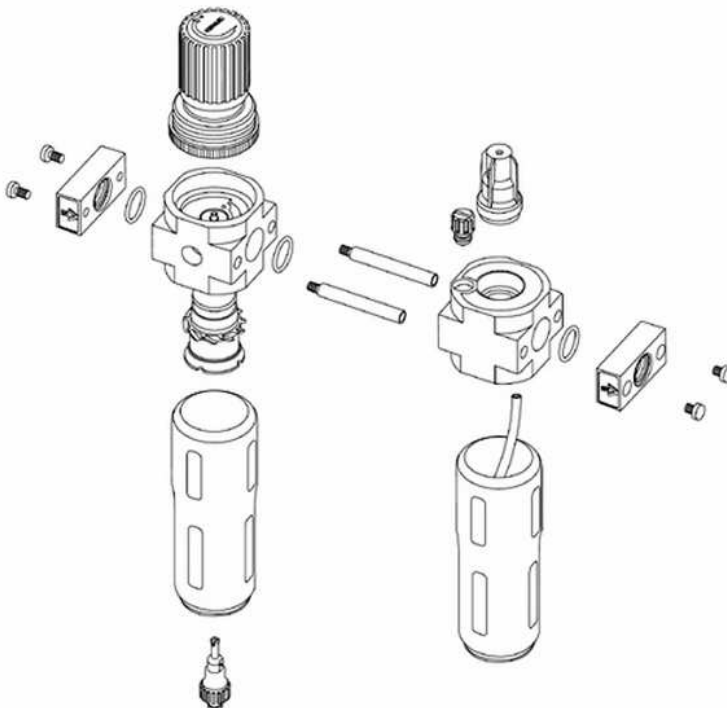
The OU consisted of OFR and OL,each unit can be ordered separately. The OF with water separator cleans the compressed air of fluid oil,condensation and dirt particles.For special application,the standard 40µm filter element may easily be replaced by a 5µm filter element. The OR maintain impuitting constant operating pressure despite fluctuation in line pressure and the amount of air consumed. The proportional lubricator adds a regulated quantity of oil to the filtered air.The oil-mist:content proportional to the flow and oil can be added during operation.The oil drip rate is controlled by the adjustable bolt.Normally,1to 12 drops /1000L of the air is sufficient.



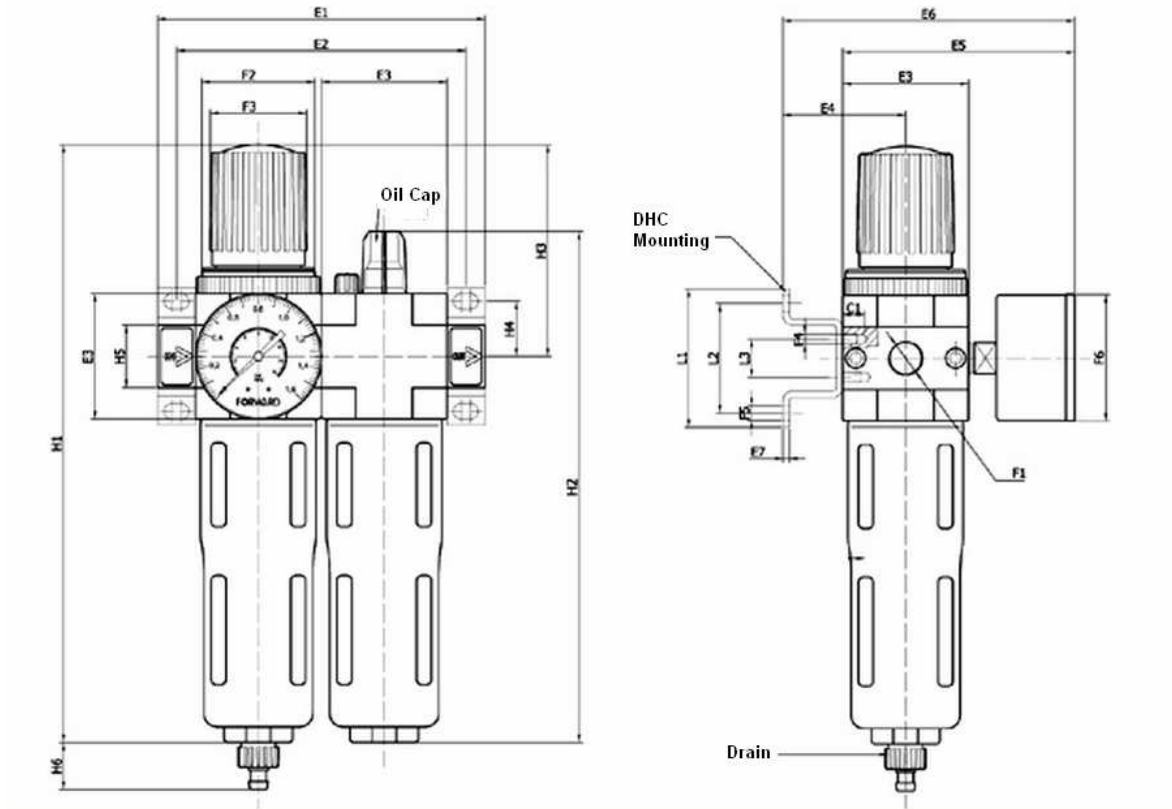
Specifications

Medium	Compressed air
Features of structure	Sintered filter with water sparator;MINI/MIDI:Diaphragm type regulator;MAXI:Piston regulator;Direct constant-density lubricator
Mounting type	Pipe mounting or foot mounting
Assembly position	Vertical ±5°
Connection	G1/8,G1/4,G3/8,G1/2,G3/4,G1
Primary pressure	1~16bar
Working pressure	1.5~12bar 0.5~12bar / 0.5~7bar
Grade of filtration	40µm / 5µm
Capacity of condensate fluid	22ml
Temperature range	0~60°C
Materials information	Housing:Zinc die-casting;Filter bowl and oil bowl:PC;Metal bowl guard:Aluminium alloy;Sealing:NBR;Adjusting knob:POM

Explosion



Overall Dimension



Model	E1	E2	E3	E4	E5	E6	E7	F1	F2	F3 \emptyset	F4	F5 \emptyset	F6 \emptyset	F7 \emptyset	L1	L2	L3	H1	H2	H3	H4	H5	H6
OJ-...-MINI	104	92	40	39	76	95	2	G1/8,G1/4,G3/8	M36*1.5	31	M4	4.5	40	44	35	11	194	169	69	17.5	20	15	
OJ-...-MIDI	140	125	55	47	93	112	3	G1/8,G1/2,G3/4	M52*1.5	50	M5	5.5	52	71	60	22	250	206	97	24.5	32	15	
OJ-...-MAXI	162,182	146,157	66	53	104	124	3	G3/4,G1	M36*1.5	31	M5	5.5	63	71	60	22	252	223	80	24.5	32,40	15	

How to order

