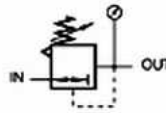


OR...

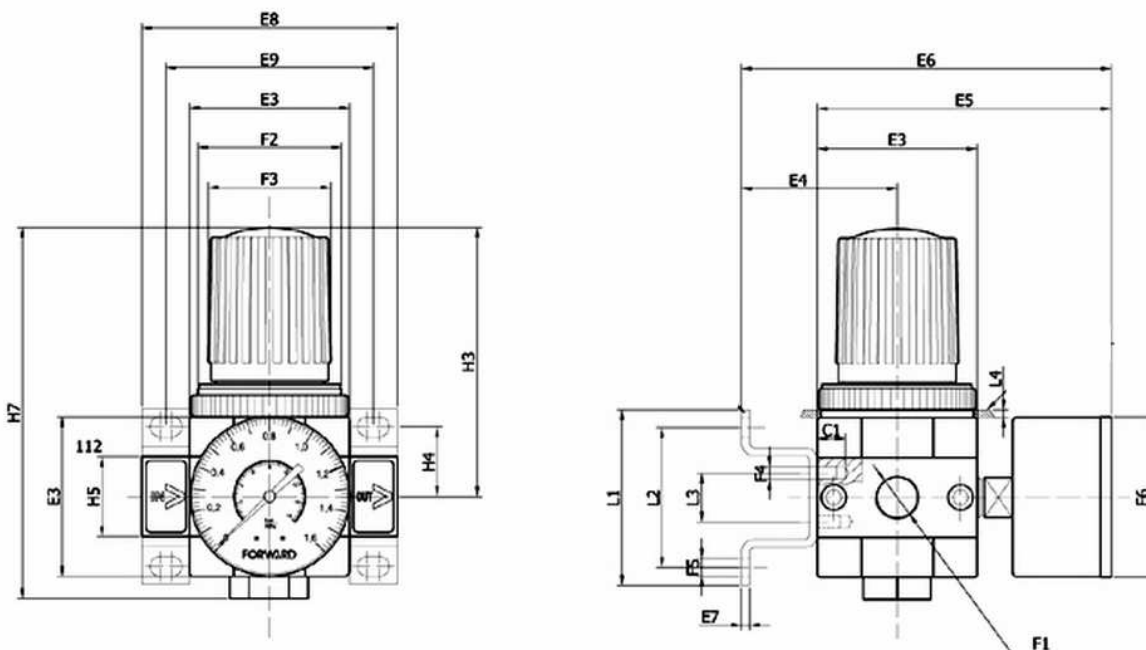
The OR maintain imputting constant operating pressure despite fluctuation in line pressure and the amount of air consumed.



Specifications

Medium	Compressed air
Features of structure	MINI/MIDI:Diaphragm type regulator;MAXI:Piston regulator;
Mounting type	Pipe mounting or foot mounting
Assembly position	Vertical $\pm 5^\circ$
Connection	G1/8,G1/4,G3/8,G1/2,G3/4,G1
Primary pressure	1~16bar
Working pressure	1.5~12bar 0.5~12bar / 0.5~7bar
Grade of filtration	40 μ m / 5 μ m
Capacity of condensate fluid	22ml
Temperature range	0~60°C
Materials information	Housing:Zinc die-casting;Sealing:NBR;Adjusting knob□□POM

Overall Dimension



Model	E3	E4	E5	E6	E8	E9	F1	F2	F3Ø	F4	F5Ø	F6Ø	L1	L2	L3	L4	H3	H4	H7
OR-...-MINI	40	39	76	95	64	52	G1/8,G1/4,G3/8	M36*1.5	31	M4	4.5	40	44	35	11	Max.3	69	17.5	96
OR-...-MIDI	55	47	93	112	85	70	G1/8,G1/2,G3/4	M52*1.5	50	M5	5.5	52	71	60	22	Max.5	98	24.5	96
OR-...-MAXI	66	53	104	124	96,116	80,91	G3/4,G1	M36*1.5	31	M5	5.5	63	71	60	22	Max.4	80	24.5	96

How to order

