



OL...

The direct constant-density lubricator add regulated quantity oil to the compressed air. A valve maintains oil mist content proportional to the compressed oil flow. The pressure drop that occurs when the air flow through a sight feed oil cup delivers oil from the bowl to the sight oil indicator. The drop of the oil flows into the air channel when it is atomized. The oil drip rate is controlled by means of the regulating screw. Normally, 1 to 12 drops /1000L of the air is sufficient.



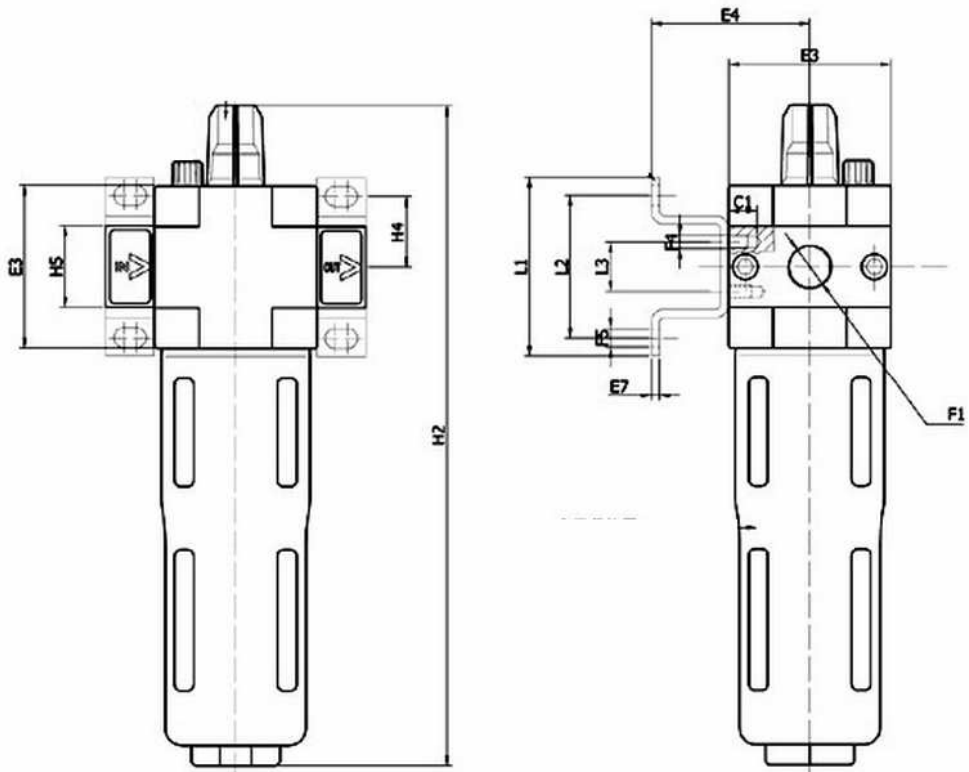
Specifications

Medium	Compressed air
Features of structure	Direct constant-density lubricator
Mounting type	Pipe mounting or foot mounting
Assembly position	Vertical $\pm 5^\circ$
Connection	G1/8, G1/4, G3/8, G1/2, G3/4, G1
Primary pressure	1~16bar
Working pressure	1.5~12bar / 0.5~12bar / 0.5~7bar
Grade of filtration	40 μ m / 5 μ m
Capacity of condensate fluid	22ml
Temperature range	0~60 $^\circ$ C
Materials information	Housing: Zinc die-casting; Oil bowl: PC; Metal bowl guard: Aluminium alloy; Sealing: NBR.

How to order



Overall Dimension



Model	E3	E4	E7	F1	F4	F5 \varnothing	L1	L2	L3	H4	H5
OL-...-MINI	40	39	2	G1/8,G1/4,G3/8	M4	4.5	44	35	11	17.5	20
OL-...-MIDI	55	47	3	G1/8,G1/2,G3/4	M5	5.5	71	60	22	24.5	32
OL-...-MAXI	66	53	3	G3/4,G1	M5	5.5	71	60	22	24.5	32.40