



OFR-...

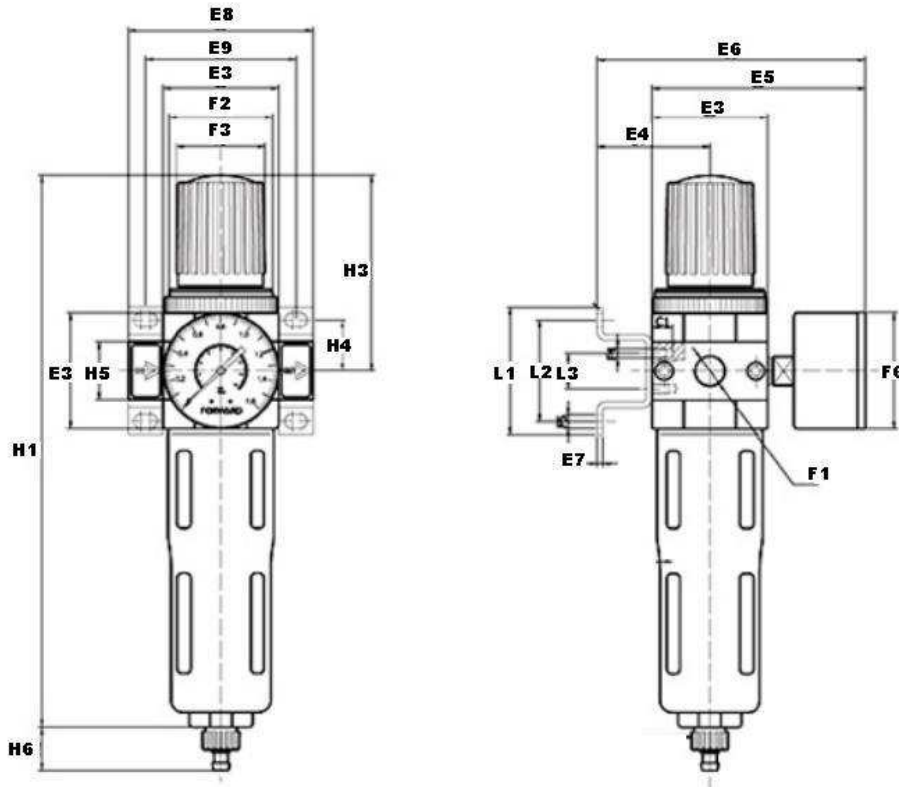
The OR maintain inputting constant operating pressure despite fluctuation in line pressure and the amount of air consumed. The OF with water separator cleans the compressed air of fluid oil, condensation and dirt particles, for special application, the standard 40µm filter element may easily be replaced by a 5µm filter element.



Specifications

Medium	Compressed air
Features of structure	Sintered filter with water separator; MINI/MIDI: Diaphragm type regulator; MAXI: Piston regulator; Direct constant-density lubricator
Mounting type	Pipe mounting or foot mounting
Assembly position	Vertical ±5°
Connection	G1/8, G1/4, G3/8, G1/2, G3/4, G1
Primary pressure	1~16bar
Working pressure	1.5~12bar 0.5~12bar / 0.5~7bar
Grade of filtration	40µm / 5µm
Capacity of condensate fluid	22ml
Temperature range	0~60°C
Materials information	Housing: Zinc die-casting; Filter bowl and oil bowl: PC; Metal bowl guard: Aluminium alloy; Sealing: NBR; Adjusting knob: POM

Overall Dimension



Model	E3	E4	E5	E6	E8	E9	F1	F2	F3 \emptyset	F4	F5 \emptyset	F6 \emptyset	L1	L2	L3	H1	H3	H4	H5	H6
OFR-...-MINI	40	39	76	95	64	52	G1/8,G1/4,G3/8	M36*1.5	31	M4	4.5	40	44	35	11	194	69	17.5	20	15
OFR-...-MIDI	55	47	93	112	85	70	G1/8,G1/2,G3/4	M52*1.5	50	M5	5.5	52	71	60	22	250	98	24.5	32	15
OFR-...-MAXI	66	53	104	124	96,116	80,91	G3/4,G1	M36*1.5	31	M5	5.5	63	71	60	22	252	80	24.5	32,40	15

How to order

OFR - 1/4 - [] - [] - [] - MINI - []

Basic function

OFR | Filter regulator

Connection

1/8	G1/8
1/4	G1/4
3/8	G3/8
1/2	G1/2
3/4	G3/4
1	G1

Pressure regulation range

	0.5...12bar
7	0.5...7bar

Grade of Filtration

	40 µm
5M	5 µm

Pressure gauge

	With pressure gauge
0	Without pressure gauge

Size

MINI	Small Size
MIDI	Medium Size
MAXI	Big Size

Condensate drain

	Turned manually
S	Semi-automatic
A	Fully automatic

