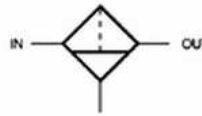




## OF-...

The OF with water separator cleans the compressed air of fluid oil, condensation and dirt particles, for special application, the standard 40µm filter element may easily be replaced by a 5µm filter element.



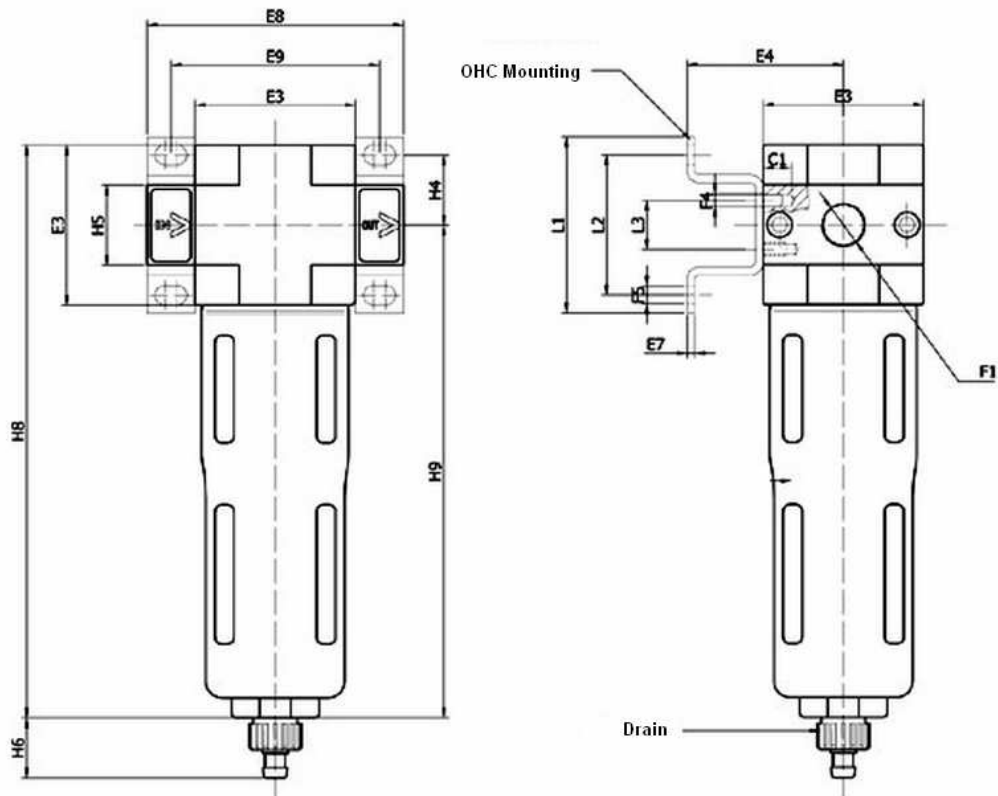
### Specifications

Medium	Compressed air
Features of structure	Sintered filter with water separator;
Mounting type	Pipe mounting or foot mounting
Assembly position	Vertical ±5°
Connection	G1/8, G1/4, G3/8, G1/2, G3/4, G1
Primary pressure	1~16bar
Working pressure	1.5~12bar 0.5~12bar / 0.5~7bar
Grade of filtration	40µm / 5µm
Capacity of condensate fluid	22ml
Temperature range	0~60°C
Materials information	Housing: Zinc die-casting; Filter bowl: PC; Metal bowl guard: Aluminium alloy; Sealing: NBR;

### How to order

OF	-	1/4	-		-	MINI	-	
Model	Connection		Grade of filtration		Size		Condensate drain	
	1/8, 1/4, 3/8, 1/2, 3/4, 1		40 µm 5M 5 µm		MINI : Small MIDI : Medium MAXI : Big		Manual condensate drain S Semi-Automatic condensate drain A Automatic condensate drain	

Overall Dimension



Model	E3	E4	E7	E8	E9	F1	F4	F5 $\varnothing$	L1	L2	L3	H4	H5	H6	H8	H9
OF-...-MINI	40	39	2	64	52	G1/8,G1/4,G3/8	M4	4.5	44	35	11	17.5	20	15	144	129
OF-...-MIDI	55	47	3	85	70	G1/8,G1/2,G3/4	M5	5.5	71	60	22	24.5	32	15	179	156
OF-...-MAXI	66	53	3	96,116	80,91	G3/4,G1	M5	5.5	71	60	22	24.5	32,40	15	203	175